

Kingsley® Technical Specification

Liquid Soap Dispenser & Toothbrush Holder YB5466 & YB5444

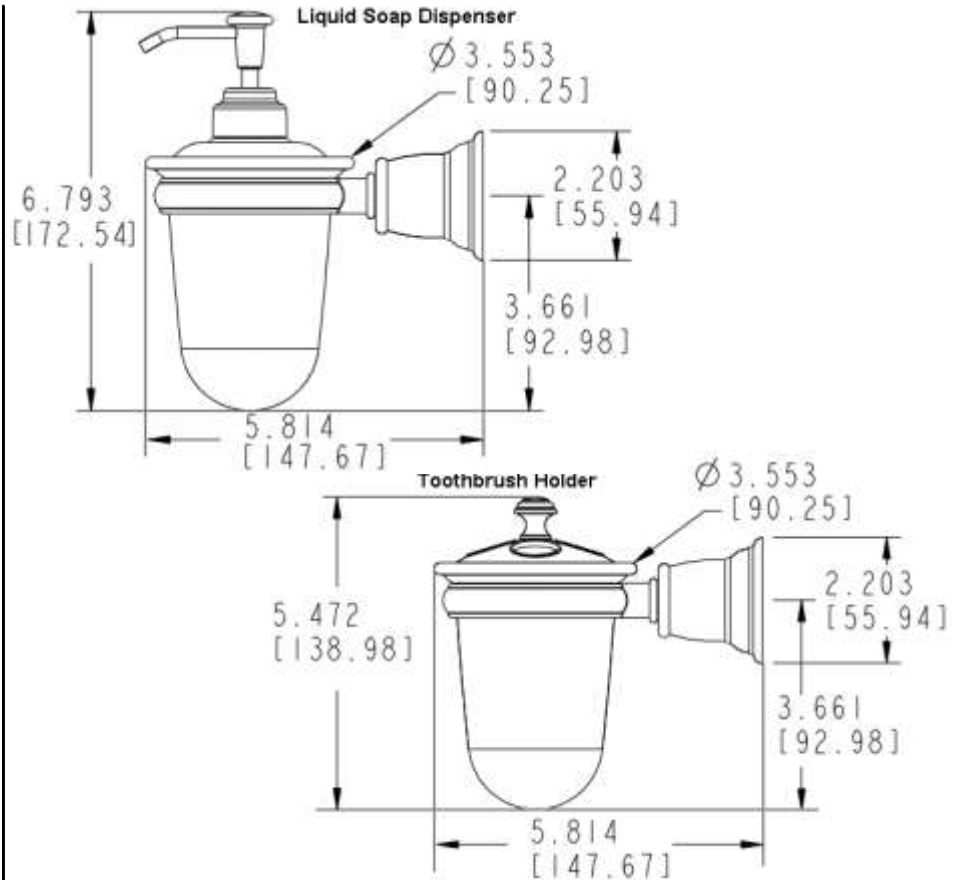
Stock Numbers:

- ❑ YB5466CH – Liquid Soap Dispenser
Chrome Finish
- ❑ YB5444CH – Toothbrush Holder
Chrome Finish
- ❑ YB5466WR – Liquid Soap Dispenser
Wrought Iron Finish
- ❑ YB5444WR – Toothbrush Holder
Wrought Iron Finish
- ❑ YB5466BN – Liquid Soap Dispenser
Brushed Nickel Finish
- ❑ YB5444BN – Toothbrush Holder
Brushed Nickel Finish
- ❑ YB5466AN – Liquid Soap Dispenser
Wrought Iron Finish
- ❑ YB5444AN – Toothbrush Holder
Wrought Iron Finish
- ❑ YB5466ORB – Liquid Soap Dispenser
Oil Rubbed Bronze Finish
- ❑ YB5444ORB – Toothbrush Holder
Oil Rubbed Bronze Finish
- ❑ YB5466AZ – Liquid Soap Dispenser
Antique Bronze Finish
- ❑ YB5444AZ – Toothbrush Holder
Antique Bronze Finish

Materials:

Toothbrush holder and liquid soap dispenser posts are constructed of zinc. Liquid soap dispenser and toothbrush holder covers are zinc and bottles are ceramic. Pump assembly is a combination of plastic and brass with a finished cover and pump top.

Dimensions:



Installation Instructions:

1. Remove the mounting post from the body by loosening the setscrew.
2. Position the mounting post on the wall at desired location. Large slots to be right and left. Small holes to be top and bottom.
3. One at a time, place each anchor screw through the mounting post, centered in the large slot hole. Using a Phillips screwdriver, turn the anchor screw while applying pressure. Screw will self drill and tap into drywall. Do not over tighten.
4. Place assembly over the mounting post, setscrew facing down.
5. Tighten setscrew.

Cleaning Instructions:

To preserve the fine finish of this product, clean only with a soft damp cloth. Dry well. Do not use commercial or abrasive cleaners.

Stock Number: _____ Liquid Soap Dispenser & Toothbrush Holder By Creative Specialties



25300 AL MOEN DRIVE • NORTH OLMSTED, OH 44070
CORPORATE HEADQUARTERS: (800) 321-8809 • FAX: (800) 848-6636
INTERNATIONAL: (440) 962-2000 • FAX: (440) 962-2726
CUSTOMER SERVICE (USA): 800-882-0116 • FAX: (888) 379-2720
WWW.MOEN.COM

©Copyright Creative Specialties International

Literature #BA1121