

Castleby Technical Specification

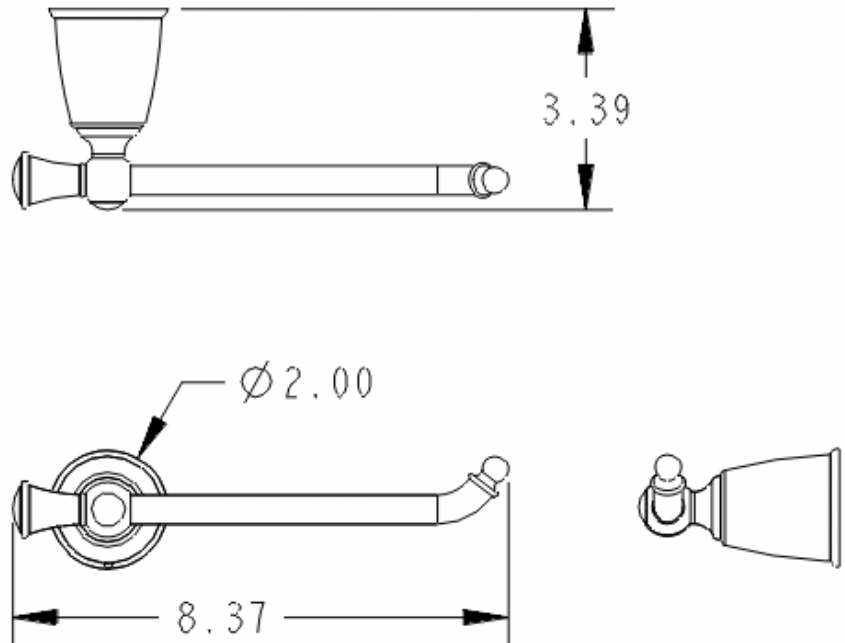
Paper Holder

YB2508

Stock Numbers:

- q **YB2508CH – Paper Holder**
Chrome Finish
Wholesale Packaging
- q **YB2508CP – Paper Holder**
Chrome & Polished Brass Finish
Wholesale Packaging
- q **YB2508STP – Paper Holder**
Satine or Satine & Polished Brass Finish
Wholesale Packaging
- q **YB2508BN – Paper Holder**
Brushed Nickel Finish
Wholesale Packaging

Dimensions:



Materials:

Paper Holder is constructed of zinc.

Installation Instructions:

1. Place metal bracket at desired position on the wall. Position slots to be vertical.
2. One at a time, place each anchor screw through the bracket, centered in the hole. Using a Phillips screwdriver, turn the anchor screw while applying pressure. Screw will self drill and tap into drywall.
3. Do not over tighten.
4. Place the post with the setscrew down, over mounting bracket. Tighten the setscrew at the bottom of the base.

Cleaning Instructions:

To preserve the fine finish of this product, clean only with a soft damp cloth. Dry well. Do not use commercial or abrasive cleaners.

Stock Number: _____ Paper Holder
By CSI Bath Furnishings



25300 AL MOEN DRIVE • NORTH OLMSTED, OH 44070
CORPORATE HEADQUARTERS: (800) 321-8809 • FAX: (800) 848-6636
INTERNATIONAL: (440) 962-2000 • FAX: (440) 962-2726
CUSTOMER SERVICE (USA): 800-882-0116 • FAX: (888) 379-2720
WWW.CSI.MOEN.COM

©Copyright Creative Specialties International 2006

Literature #BA1104