



Buy it for looks. Buy it for life.®

Specifications

DESCRIPTION

- Metal construction with various finishes identified by suffix
- Includes 7" rainfall showerhead, arm, flange and diverter tub spout

OPERATION

- Handle operates counterclockwise through a 270° arc with off at 6 o'clock and maximum hot at the 9 o'clock position. Shut off in clockwise direction
- Adjustable temperature limit stop to control maximum hot water temperature

FLOW

- Showerhead is limited to 2.5 gpm max. (9.5 L/min)

CARTRIDGE

- 1222 cartridge design
- Nonmetallic/nonferrous and stainless steel materials
- Accommodates back to back installations

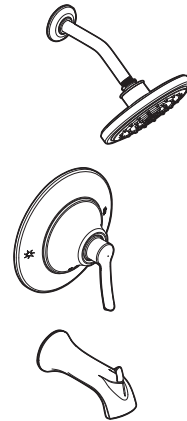
STANDARDS

- Third party certified to CSA B125.1, ASME A112.18.1, and all applicable requirements referenced therein, including ASSE 1016

- ADA  for lever handle

WARRANTY

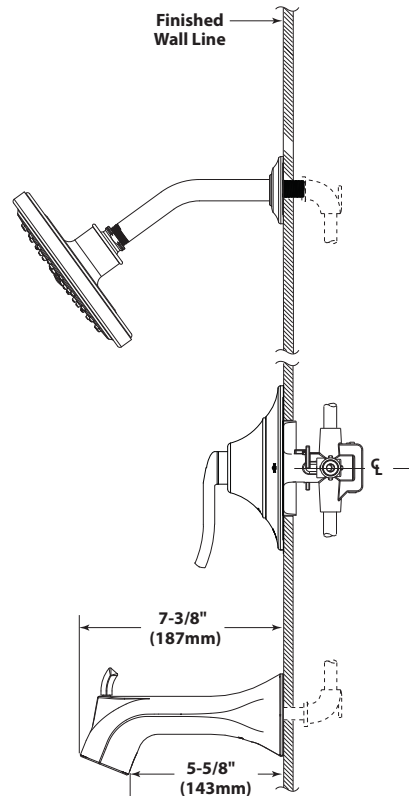
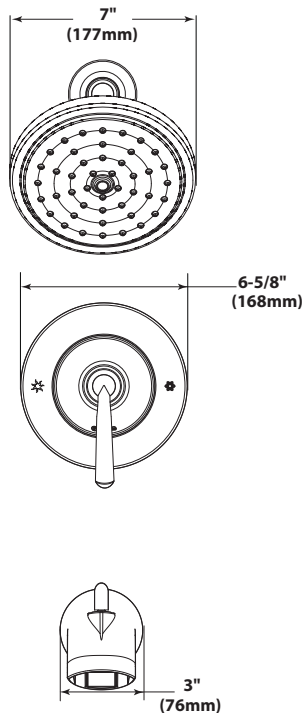
- Lifetime limited warranty against leaks, drips and finish defects to the original consumer purchaser
- 5 year warranty if used in commercial installations



FINA™ Single-Handle Posi-Temp® Tub/Shower Trim

Models: TS3170 Series- Valve trim only
 TS31702 Series- Shower trim only
 TS31704 Series- Tub/Shower trim

Valve: 2500 series
 62300 series



CRITICAL DIMENSIONS

(DO NOT SCALE)