



Buy it for looks. Buy it for life.®

Specifications

DESCRIPTION

- Metal and plastic construction with chrome plated, Platinum, glacier, LifeShine® Satine or LifeShine® polished brass finish
- Installed on 6" (152mm) to 16" (406mm) centers
- 1/2" IPS connections will accept standard ball nose connection for 3/8" tubing
- Diverter valve includes an integral vacuum breaker
- Includes metal pop-up type waste assembly

OPERATION

- Metallic lever style handles
- Maximum handle rotation is 180° to full on for either handle
- Rotate hot side counterclockwise to open (clockwise to close)
- Rotate cold side clockwise to open (counterclockwise to close)
- Includes hot (red) and cold (blue) temperature indicators
- Water flow is diverted by turning the knob counterclockwise for fill and clockwise for rosetta spray

CARTRIDGE

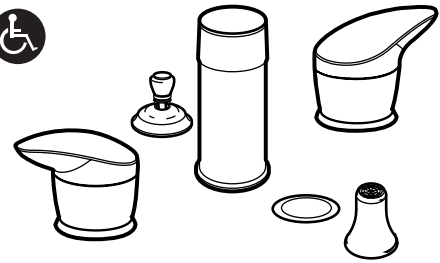
- 94831 diverter cartridge
- 1224 cartridge design for hot and cold valves
- Nonmetallic and stainless steel material

STANDARDS

- Third party certified by CSA to meet CSA B-125, ASME A112.18.1M and all requirements referenced therein

WARRANTY

- Lifetime limited warranty against leaks, drips and finish defects to the original consumer purchaser
- 5 year warranty if used in commercial installations



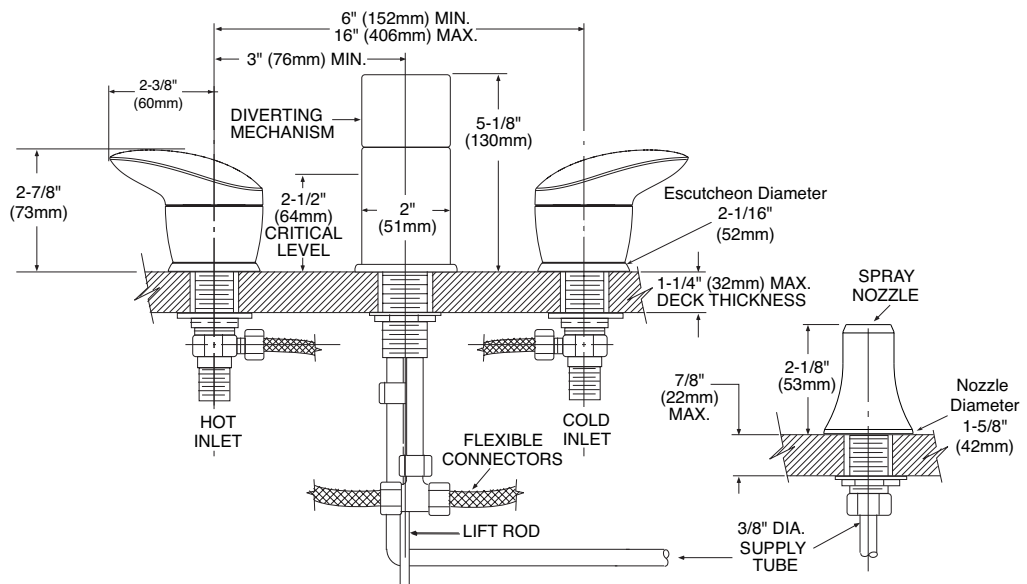
Villeta™ Two Handle Bidet with Metal Waste Assembly

Models: TL5240, TL5240CP, TL5240PM
Valve: 9200

Discontinued Models: TL5240W,
TL5240P, TL5240ST

NOTE: The 9200 valve can not be used with Non Rim Flush Bidet Fixtures

NOTE: Minimum Diameter Holes for Installation
Diverter Valve - 1" (25mm)
Handle Valves - 1-1/8" (29mm)
Spray Nozzle - 5/8" (16mm)
Lift Rod Escutcheon - 1/2" (13mm)



CRITICAL DIMENSIONS

(DO NOT SCALE)