

## DESCRIPTION

- Metal and plastic construction with chrome plated, Platinum, Glacier, Satine or LifeShine® Polished Brass finish
- 1/2" IPS connections
- Includes metal pop-up type waste assembly on 4000 series models
- Includes 50/50 pop-up type waste assembly on 80000 series models

## OPERATION

- Metallic knob style handles
- Maximum handle rotation angle is 90° to full on for either handle. Rotate Hot side, counterclockwise to open (clockwise to close). Rotate Cold side, clockwise to open (counterclockwise to close)
- Includes hot (red) and cold (blue) temperature indicators

## FLOW

- Aerator is limited to 2.2 gpm (8.3 L/min)

## CARTRIDGE

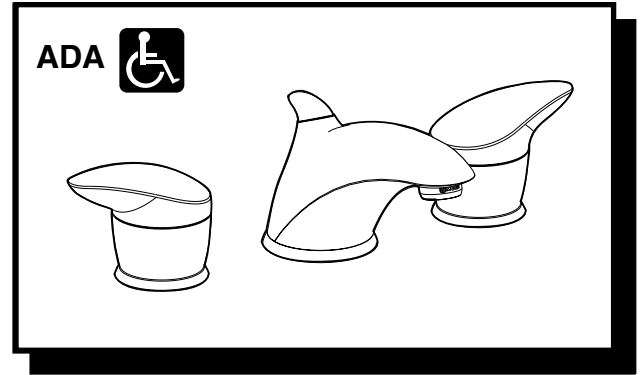
- 1224 cartridge design
- Nonmetallic and stainless steel material

## STANDARDS

- Third party certified to CSA B-125, ASME A112.18.1M, ANSI A117.1 and all applicable requirements referenced therein
- Certified to ANSI/NSF 61/9
- Complies with California Proposition 65 and with the Federal Safe Water Drinking Act

## WARRANTY

- Lifetime limited warranty against leaks, drips and finish defects to the original consumer purchaser
- 5 year warranty if used in commercial installations



**Villeta™**

**Two-Handle Widespread Lavatory Faucet with Metal Waste Assembly**

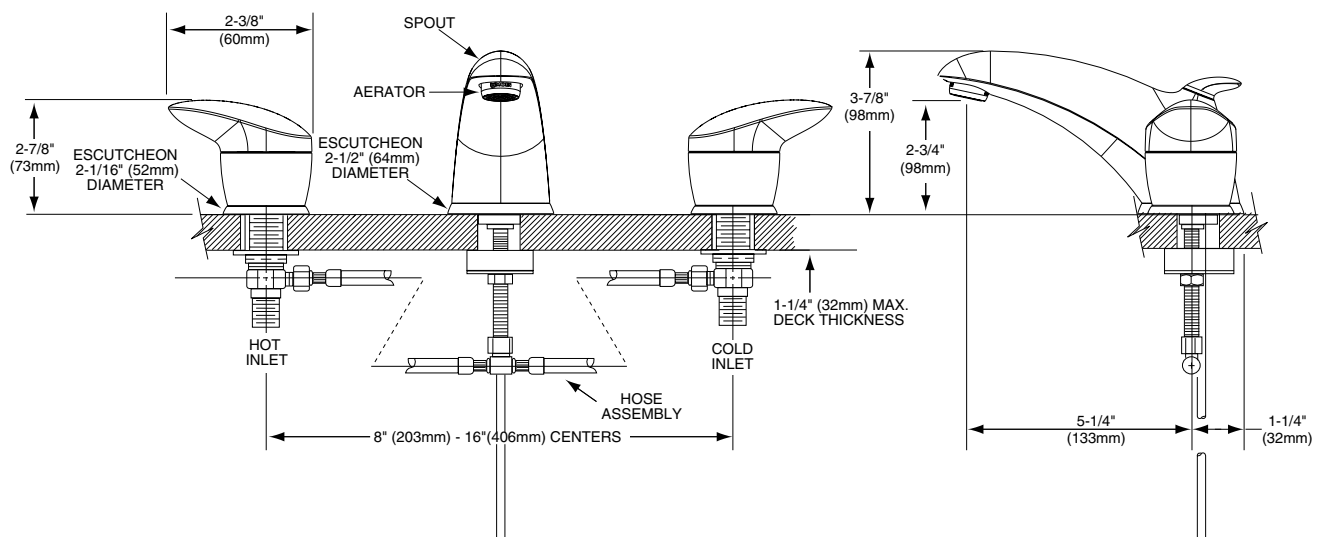
**Models: TL4762, TL4762CP, TL4762P, TL4762PM, TL4762W, TL4762ST L84762, L84762CP, L84762PM, L84762ST**

**Valve: 9000, 69000**

**NOTE: See reverse side for illustrated parts and handle options**

**NOTE: For deck thickness 1-3/8" - 3", use service kit # 115001. Valves install through 1-1/4" dia. hole.**

**NOTE: THIS FAUCET IS DESIGNED TO BE INSTALLED THRU 3 HOLES, 1-1/8" (29mm) MIN. DIA.**



## CRITICAL DIMENSIONS

(DO NOT SCALE)