



Buy it for looks. Buy it for life.®

Specifications

DESCRIPTION

- Metal construction with chrome plated, Platinum, glacier, LifeShine® polished brass or LifeShine® Satine finish
- Pressure balancing valve design with or without integral check stops, 1/2" CC or IPS connections

OPERATION

- Metallic lever style handle with temperature indicator on the escutcheon, pull-on/push-off operation
- Temperature operates through a 180° arc of handle travel (full cold to full hot)
- Adjustable temperature limit stop to control maximum hot water temperature
- Pressure balancing mechanism maintains selected discharge temperature to $\pm 3^\circ$

FLOW

- Showerhead is limited to 2.5 gpm (9.5 L/min) Max

CARTRIDGE

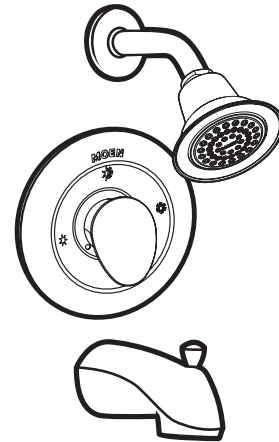
- 1225 cartridge design
- Nonmetallic/nonferrous and stainless steel materials
- Accommodates back to back installations

STANDARDS

- Third party certified to meet CSA B-125, ASME A112.18.1M, ASSE 1016 and all applicable requirements referenced therein

WARRANTY

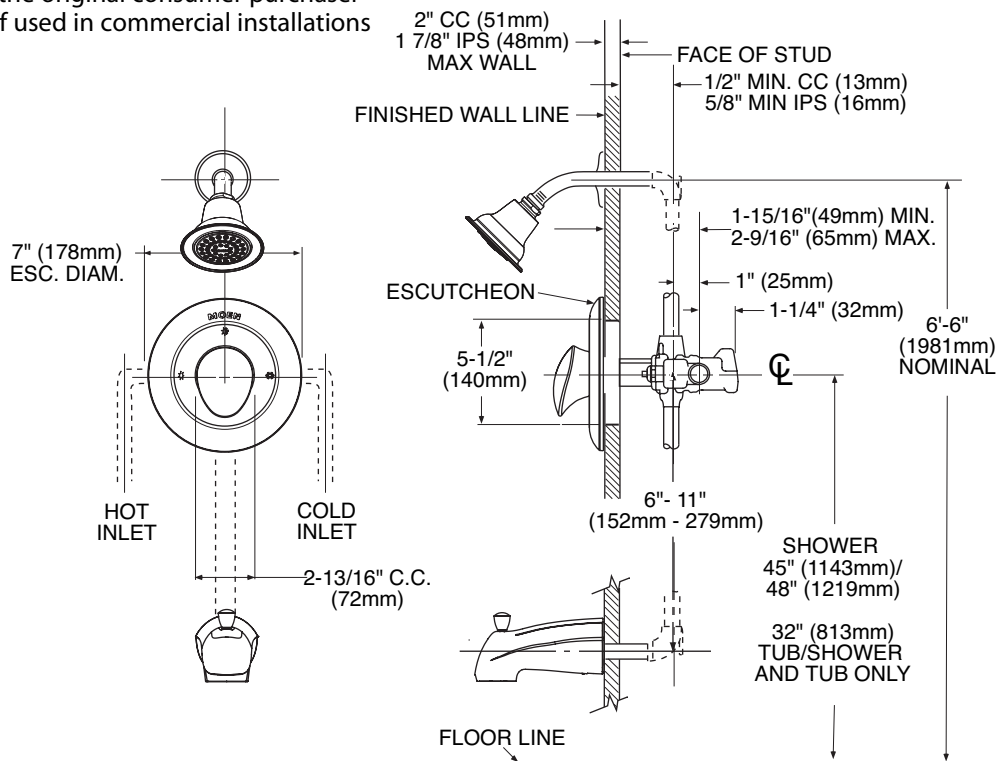
- Lifetime limited warranty against leaks, drips and finish defects to the original consumer purchaser
- 5 year warranty if used in commercial installations



Villeta™ Moentrol® Single-Handle Tub/Shower Trim

Models: TL3193, TL3193CP, TL3193PM, TL3193W, TL3193P, TL3193ST

Valve: 3570, 63170, 3550, 63150



CRITICAL DIMENSIONS

(DO NOT SCALE)

FOR MORE INFORMATION CALL: 1-800-BUY-MOEN

www.moen.com