

## DESCRIPTION

- Brass construction with chrome plated, LifeShine® polished brass or glacier finish
- Designed to be installed on built-up decks to 2-3/4" thick or on finished surfaces up to 1-1/2" thick.
- The tub fill spout is a slip fit design and the supplies are 1/2" copper tubing.

## OPERATION

- Designed to use a number of Concentrix® style Handles (see optional handle insert chart below).
- Rotate either handle counterclockwise to open (clockwise to close).

## FLOW

- Designed to deliver 18 gpm at 40 psi.

## CARTRIDGE

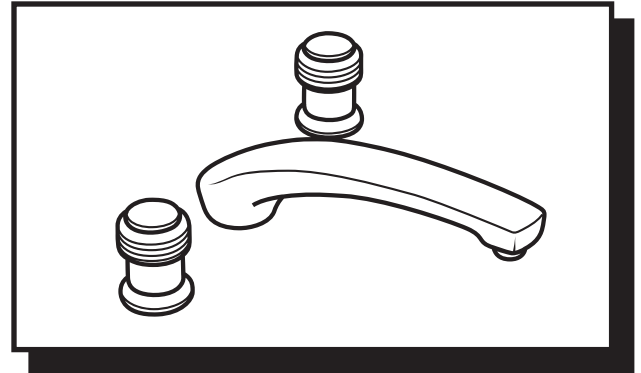
- Nonmetallic/nonferrous and stainless steel materials

## STANDARDS

- Designed and manufactured to comply with the applicable requirements of: CSA B-125 and ASME A112.18.1M and all applicable requirements referenced therein

## WARRANTY

- Lifetime limited warranty against leaks, drips and finish defects to the original consumer purchaser
- 5 year warranty if used in commercial installations



### CONCENTRIX®

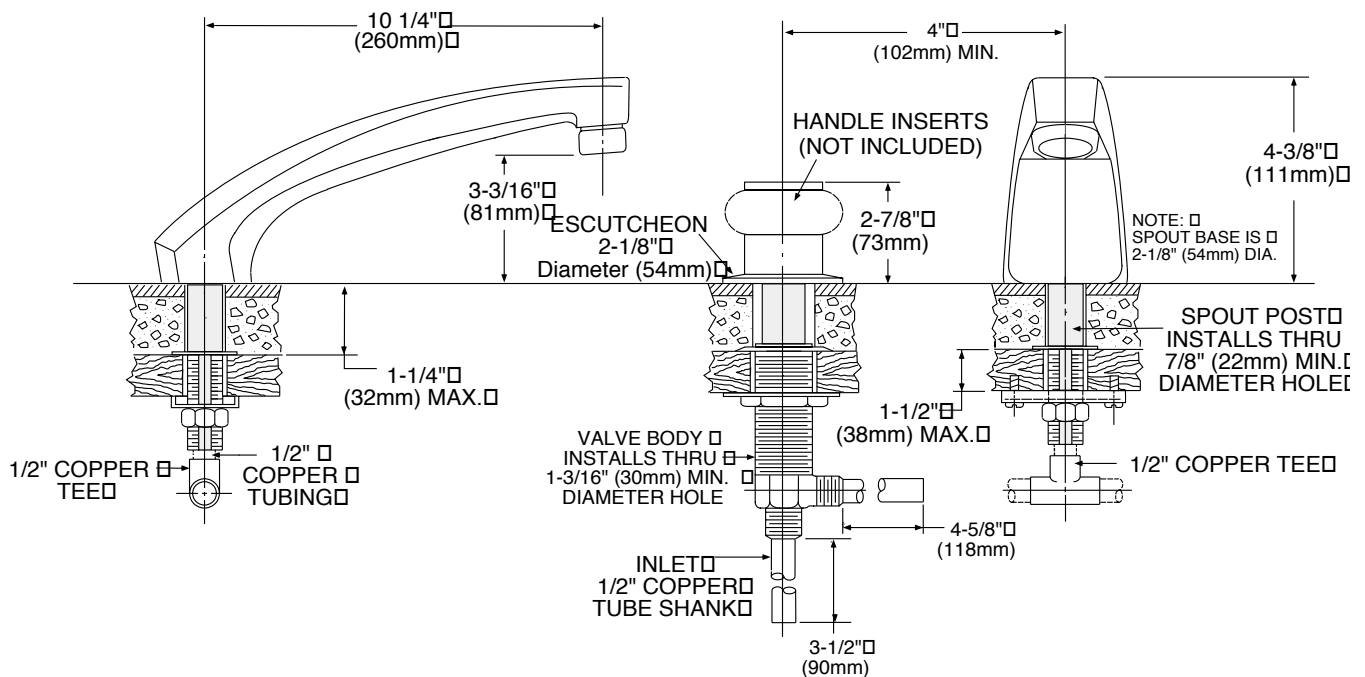
#### Roman Tub Trim Kit

Specify with model 4999 or 4997  
high flow rough-in valve

Models: T971, T971P, \*T971W,  
T973, \*T973W

\*Models Discontinued 2/1/2000

NOTE: See reverse side for  
illustrated parts and handle options



NOTE: THE INSTALLATION SHOWN IS FOR TILE DECKS, THIS VALVE WILL ALSO FIT STEEL, CAST IRON OR PLASTIC DECKS

### CRITICAL DIMENSIONS

(DO NOT SCALE)