



Buy it for looks. Buy it for life.®

Specifications

DESCRIPTION

- Solid brass, high-arc spout
- Metal construction with various finishes identified by suffix
- For installations from 8" (203mm) to 10" (254mm) centers
- Designed to be installed on decks up to 2-3/4" (70mm)
- The tub fill spout is a slip fit design and the supplies are 1/2" type K, copper tubing

OPERATION

- Lever style handles, (less handle inserts)
- Rotate hot side handle counterclockwise to open (clockwise to close) and the cold side handle (clockwise to open) and (counterclockwise to close)


FLOW

- Designed to deliver 15-17 gpm at 40 psi.

CARTRIDGE

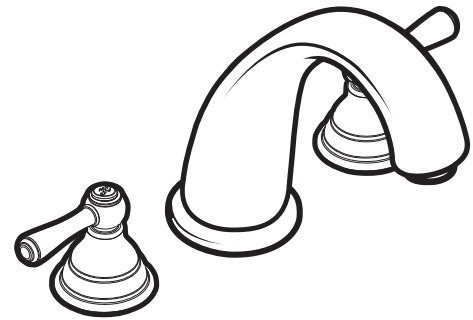
- Nonmetallic and stainless steel materials

STANDARDS

- Third party certified to meet ASME A112.18.1/CSA B-125.1 and all applicable requirements referenced therein
- **ADA**  for lever handles

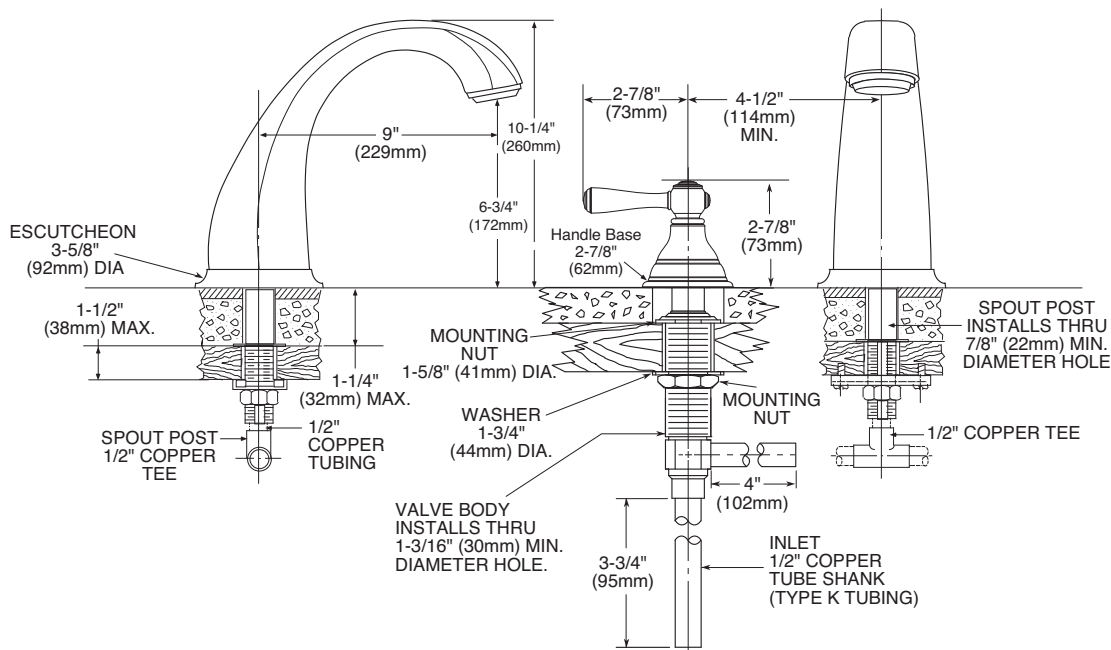
WARRANTY

- Lifetime limited warranty against leaks, drips and finish defects to the original consumer purchaser
- 5 year warranty if used in commercial installations



KINGSLEY™
CATHEDRAL™ HIGH-ARC
Roman Tub Trim Only

Models: T911 series



CRITICAL DIMENSIONS

(DO NOT SCALE)