



Buy it for looks. Buy it for life.®

Specifications

DESCRIPTION

- Metal construction with various finishes identified by suffix
- 1/2" IPS connections
- Includes hot and cold indicators
- Includes metal pop-up waste assembly


OPERATION

- Lever style handles
- Maximum handle rotation angle is 90° to full on for either handle

FLOW

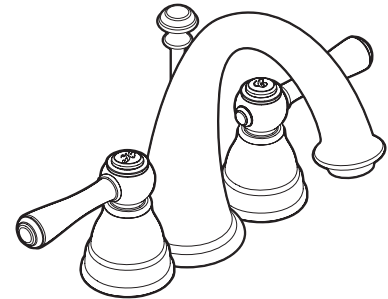
- Flow is limited to 1.5 gpm max (5.7L/min) at 60 psi, for products made before October 2008 flow is limited to 2.2 gpm max (8.3 L/min)

STANDARDS

- Third party certified to WaterSense,® ASME A112.18.1/CSA B-125.1, ICC A117.1 and all applicable requirements referenced therein
- Certified to ANSI/NSF 61/9
- Complies with California Proposition 65 and with the Federal Safe Water Drinking Act
- **ADA**  for lever handle

WARRANTY

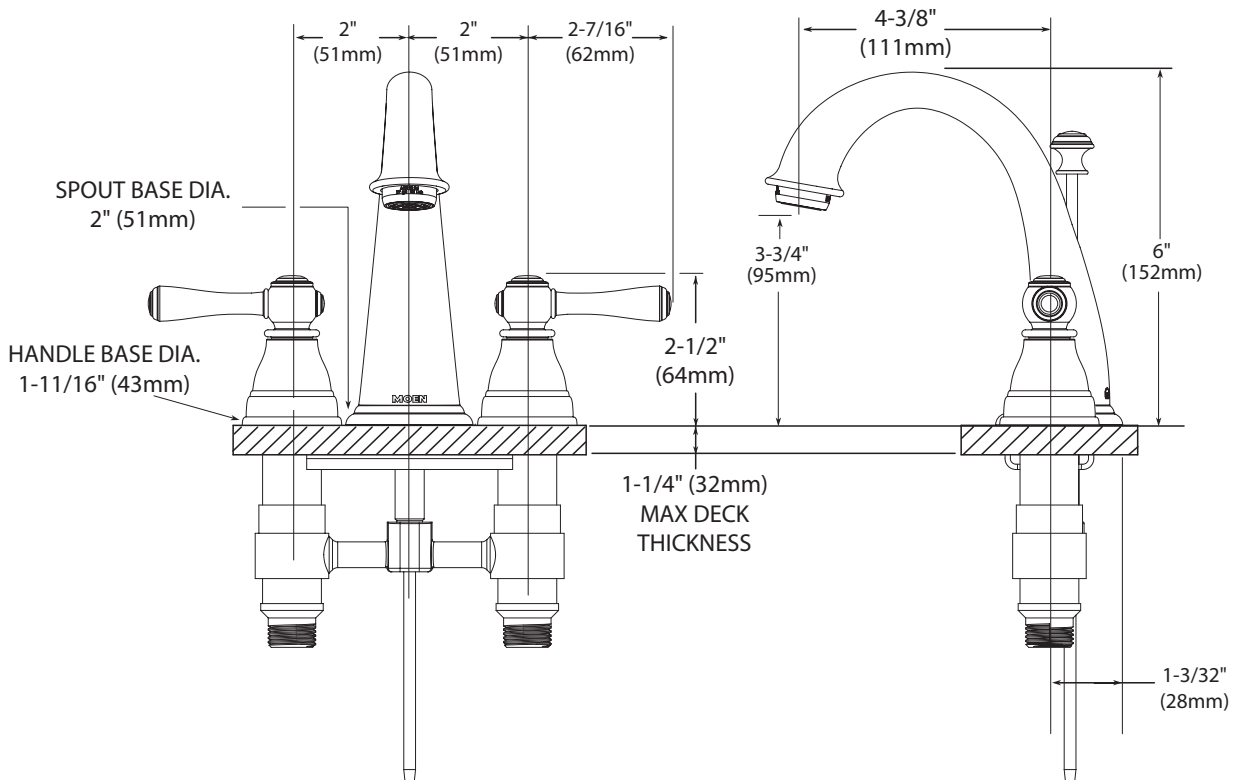
- Lifetime limited warranty against leaks, drips and finish defects to the original consumer purchaser
- 5 year warranty if used in commercial installations



KINGSLEY™ Mini-Widespread Lavatory Faucet Trim

Models: T6123 series
Valve: 9300, 69300

NOTE: THIS FAUCET IS DESIGNED TO BE INSTALLED THRU 3 HOLES, 1-1/8" (29mm) MIN. DIA.



CRITICAL DIMENSIONS

(DO NOT SCALE)