



Buy it for looks. Buy it for life.®

# Specifications

## DESCRIPTION

- Metal construction with a chrome plated, Platinum, LifeShine® Polished Brass, Satine™, Classic Gold, or Nickel finish.
- Ceramic construction with Pebbled Cream or Seaspray finish.
- Installed on 6" (152mm) to 16" (406mm) centers
- 1/2" IPS connections will accept standard ball nose connection for 3/8" tubing
- Diverter valve includes an integral vacuum breaker
- Includes metal pop-up type waste assembly

## OPERATION

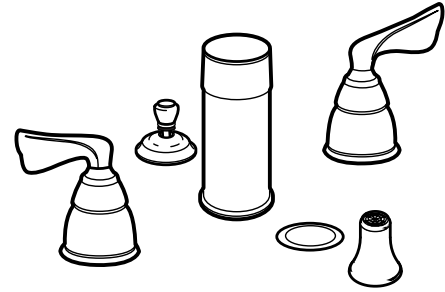
- Lever style handles, 180° rotation
- Hot side counterclockwise to open (clockwise to close)
- Cold side clockwise to open (counterclockwise to close)
- Water flow is diverted by turning the knob counter clockwise for fill and clockwise for rosetta spray

## STANDARDS

- Third party certified by CSA to meet CSA B-125, ASME A112.18.1M and all requirements referenced therein

## WARRANTY

- Lifetime limited warranty against leaks, drips and finish defects to the original consumer purchaser
- 5 year warranty if used in commercial installations



## ASCERI™ COLLECTION Two Handle Bidet Trim with Metal Waste Assembly

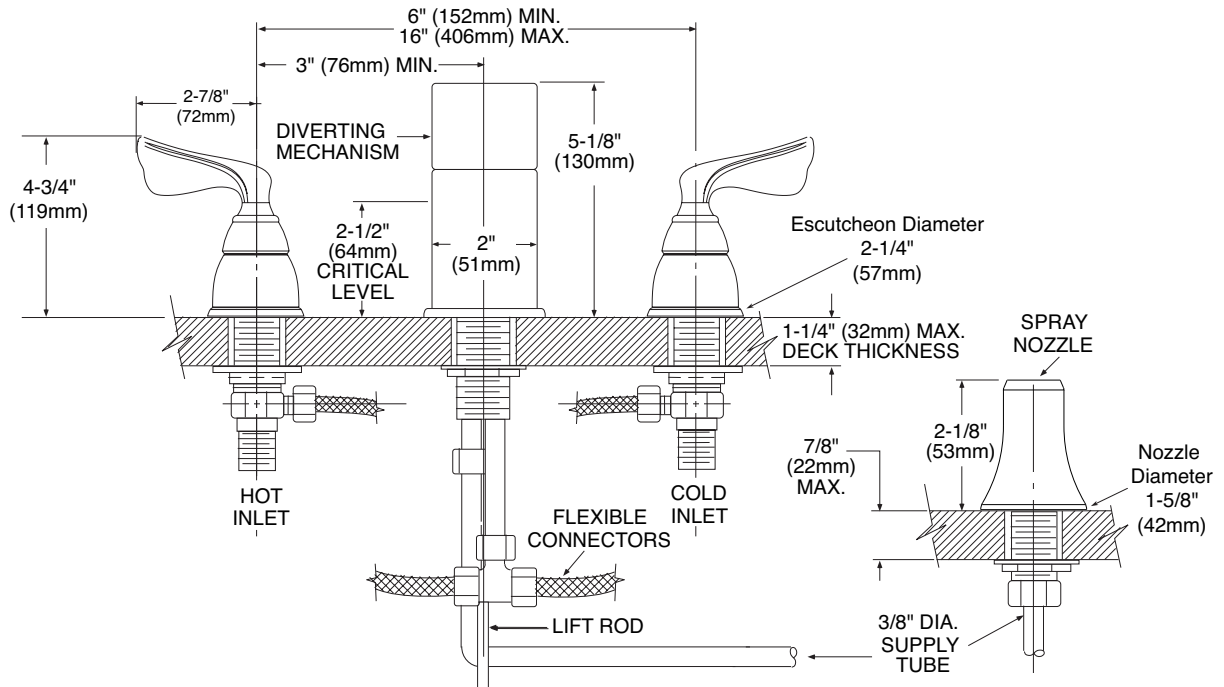
**Models:** T5280, T5280CP,  
T5280CPM, T5280STV, T5280CGPC

**Valve:** 9200

**Discontinued Models:** T5280NLBL,  
T5280CGSA

**NOTE:** The 9200 valve can not be used with  
Non Rim Flush Bidet Fixtures

**NOTE:** Minimum Diameter Holes for Installation  
Diverter Valve - 1" (25mm)  
Handle Valves - 1-1/8" (29mm)  
Spray Nozzle - 5/8" (16mm)  
Lift Rod Escutcheon - 1/2" (13mm)



## CRITICAL DIMENSIONS

(DO NOT SCALE)