

DESCRIPTION

- Metal and/or ceramic construction
- 1/2" CC or IPS connections

OPERATION

- Flow handle (lever) operates counterclockwise through a 180° arc with off at 6 o'clock and maximum flow at the 12 o'clock position. Shut off in clockwise direction
- Temperature handle (knob) operates through a 340° arc with maximum cold at full clockwise rotation (corresponding to the numeral 1) and maximum hot at full counterclockwise rotation (corresponding to the numeral 9)
- Thermostatic pressure balancing mechanism maintains selected discharge temperature to $\pm 3^\circ\text{F}$
- Factory established temperature range from 85°F (29°C) to 115°F (46°C)

CARTRIDGE

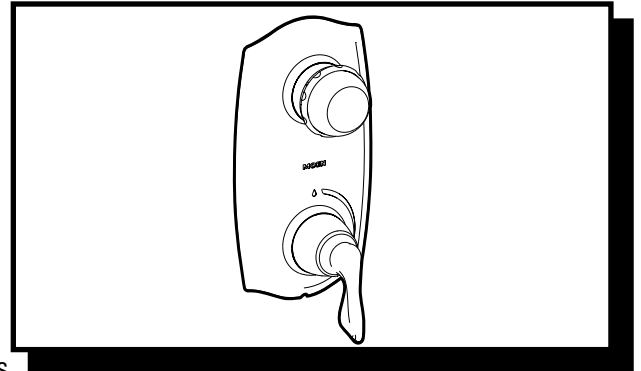
- Thermostatic pressure balancing cartridge design with nonmetallic/nonferrous materials
- 1248 cartridge design with nonmetallic/nonferrous and stainless steel materials

STANDARDS

- Third party certified by CSA to meet CSA B-125, ASME A112.18.1M and all applicable requirements referenced therein including ASSE 1016

WARRANTY

- Lifetime limited warranty against leaks, drips and finish defects to the original consumer purchaser
- 5 year warranty if used in commercial installations

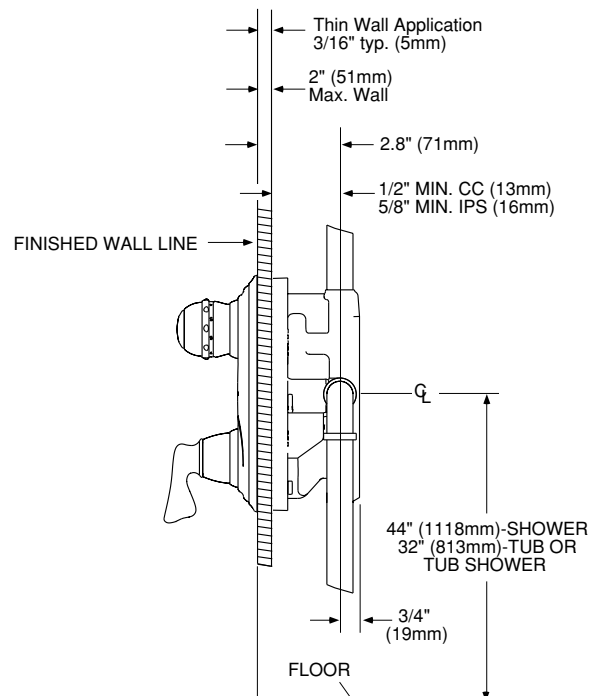
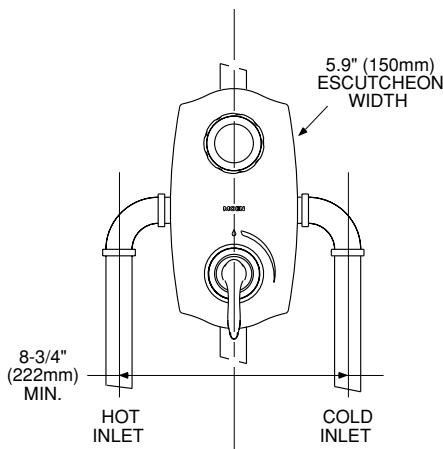


ASCERI™ COLLECTION ExactTemp™ Valve (Trim Only)

**Models: T3428, T3428CP, T3428CPM,
T3428STV, T3428NLBL, T3428CGPC**

Valves: 3301 (CC), 3321 (IPS)

**NOTE: See reverse side
for illustrated parts**



CRITICAL DIMENSIONS

(DO NOT SCALE)