

DESCRIPTION

- Metal construction with a chrome plated, decorative glacier, LifeShine® polished brass, Platinum, Black Opal™, Classic Gold, or Satine™ finish
- Includes adjustable showerhead, arm, and flange

OPERATION

- Lever style handle with temperature indicator on the escutcheon, pull-on/push-off operation
- Temperature operates through an 180° arc of handle travel (full cold to full hot)
- Adjustable temperature limit stop to control maximum hot water temperature
- Pressure balancing mechanism maintains selected discharge temperature to $\pm 2^\circ$

FLOW

- Showerhead is limited to 2.5 gpm (9.5 L/min)

CARTRIDGE

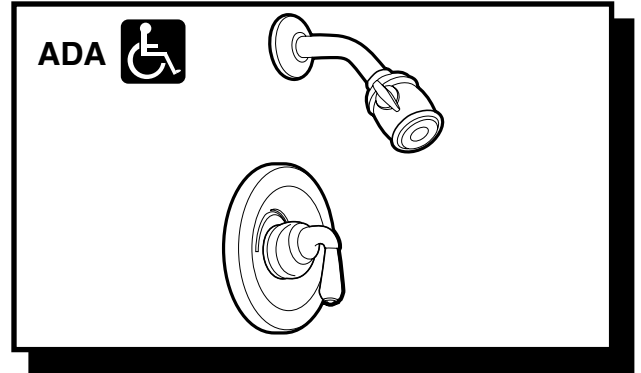
- 1225 cartridge design
- Nonmetallic/nonferrous and stainless steel materials
- Accommodates back to back installations

STANDARDS

- Third party certified by CSA to meet CSA B-125, ASME A112.18.1M and all applicable requirements referenced therein and complies with the applicable requirements of ANSI A117.1

WARRANTY

- Lifetime limited warranty against leaks, drips and finish defects to the original consumer purchaser
- 5 year warranty if used in commercial installations



MONTICELLO® INSPIRATIONS™ MOENTROL®

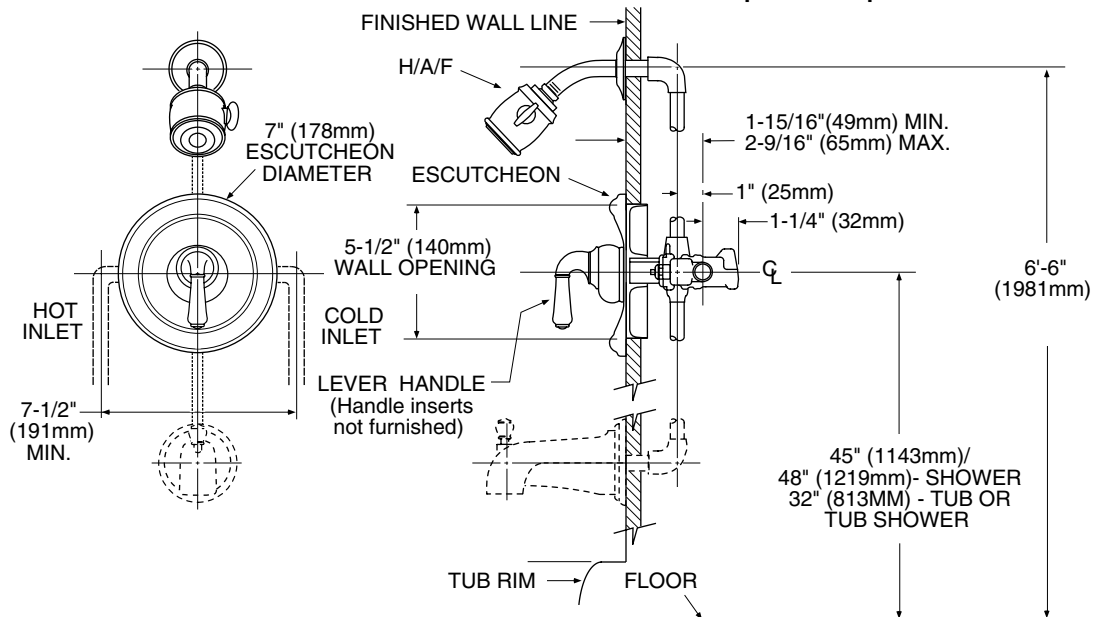
Single-Handle Pressure Balancing Tub/Shower (Trim Only)

Models: T3125, T3125CP,
T3125P, T3125W,
(Bulk packed 12 per carton)

RT3125PM/AT2199PM,
RT3125BP/AT2199BP, RT3125CG/AT2199CG,
RT3125ST/AT2199ST
(Packed 1 per carton)

T3124, T3124CP, T3124P, T3124W, 82221
(Packed 1 per carton)

NOTE: See reverse side for illustrated parts and optional handle inserts



CRITICAL DIMENSIONS

(DO NOT SCALE)



ADA symbol applies to shower valve control only.