



Buy it for looks. Buy it for life.®

Specifications

DESCRIPTION

- Metal construction with chrome plated, chrome w/porcelain finish accents, chrome w/LifeShine® polished brass accents, LifeShine® polished brass, LifeShine® brushed nickel or satine w/LifeShine® polished brass accents
- Pressure balancing valve design with or without integral check stops, 1/2" CC or IPS connections
- Includes showerhead, arm and flange

OPERATION

- Knob style handle, Pull-on push-off design
- Temperature operates through an 180° arc of handle travel (full cold to full hot)
- Adjustable temperature limit stop to control maximum hot water temperature
- Pressure balancing mechanism maintains selected discharge temperature to ± 3°.

CARTRIDGE

- 1225 cartridge design
- Nonmetallic/nonferrous and stainless steel materials
- Accommodates back to back installations

STANDARDS

- Third party certified to meet CSA B-125, ASME A112.18.1M, ASSE 1016 and all applicable requirements referenced therein

WARRANTY

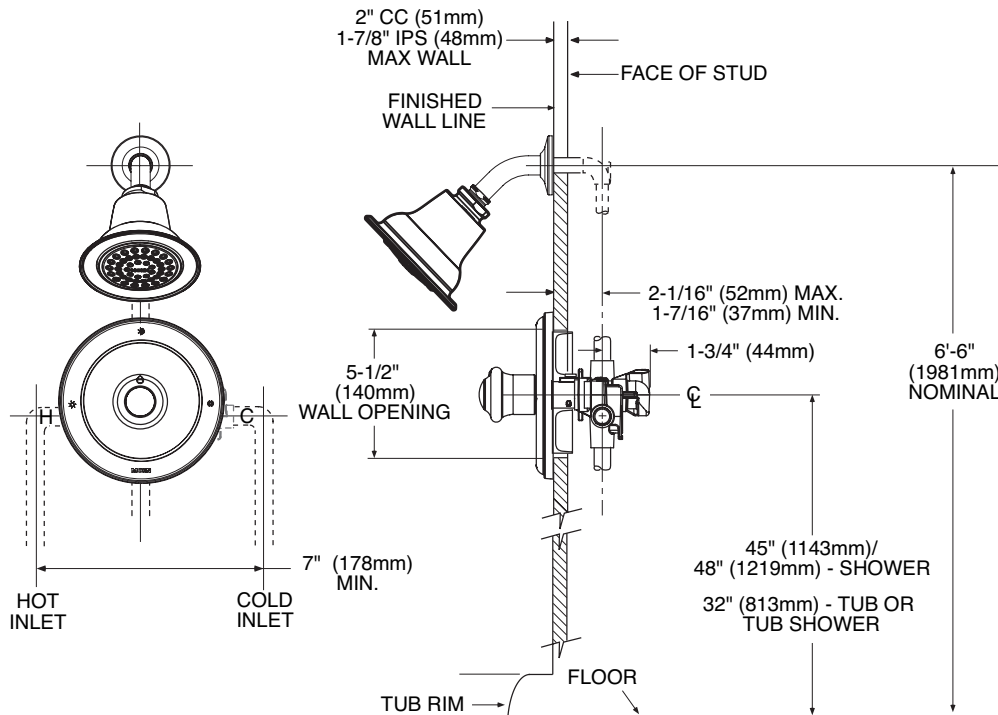
- Lifetime limited warranty against leaks, drips and finish defects to the original consumer purchaser
- 5 year warranty if used in commercial installations



CASTLEBY™ Moentrol® Single-Handle Tub/Shower Valve Only

Models: T3109, T3109BN, T3109CP,
T3109CPC, T3109P, T3109ST

Valve: 3570, 63170, 3550, 63150



CRITICAL DIMENSIONS

(DO NOT SCALE)

FOR MORE INFORMATION CALL: 1-800-BUY-MOEN

www.moen.com