

DESCRIPTION

- Metal construction with a chrome plated finish
- Knob handle tub/shower trim
- Single function showerhead
- Diverter tub spout

OPERATION

- Handle operates counterclockwise through a 270° arc with off at 6 o'clock and maximum hot at the 9 o'clock position. Shut off in clockwise direction
- Adjustable temperature limit stop to control maximum hot water temperature
- Pressure balancing mechanism maintains selected discharge temperature to $\pm 2^\circ$

FLOW

- 2.5 gpm (9.5 L/min) adjustable showerhead

CARTRIDGE

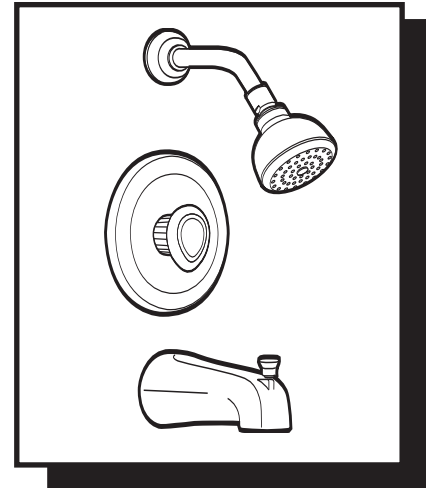
- 1222 cartridge design
- Nonmetallic/nonferrous and stainless steel materials

STANDARDS

- Designed and manufactured to comply with the requirements of: CSA B-125 and ASME A112.18.1M and all applicable requirements referenced therein

WARRANTY

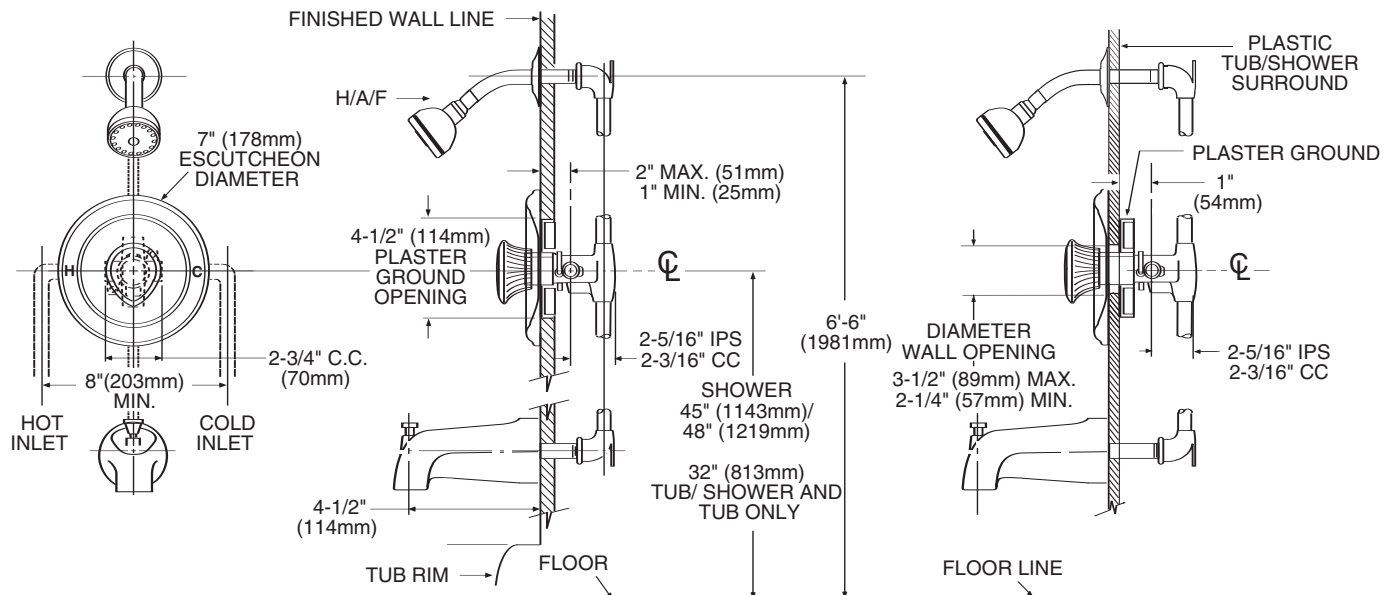
- Lifetime limited warranty against leaks, drips and finish defects to the original consumer purchaser
- 5 year warranty if used in commercial installations



CHATEAU® POSI-TEMP®
Single-Handle Tub/Shower (Trim Only)

Model: T2332
(Bulk Packed 12 per carton)

NOTE: See reverse side for illustrated parts



THICK WALL APPLICATION

THIN WALL APPLICATION

CRITICAL DIMENSIONS

(DO NOT SCALE)