

**DESCRIPTION**

- Metal construction with chrome plated, LifeShine® brushed nickel, oil rubbed bronze, nickel or wrought iron finish
- For installations from 8" (203mm) to 16" (406mm) centers
- Designed to be installed on decks up to 2-1/8" (54mm)
- The tub fill spout is a slip fit design and the supplies are 1/2" type K, copper tubing
- Includes optional hot and cold temperature indicators
- Includes 4999 valve

**OPERATION**

- Features a pivoting spout with locking safety feature
- Lever style handles
- Rotate hot side handle counterclockwise to open and clockwise to close
- Rotate cold side handle clockwise to open and counterclockwise to close

**FLOW**

- Designed to deliver 18 gpm max. at 40 psi (68 L/min)

**CARTRIDGE**

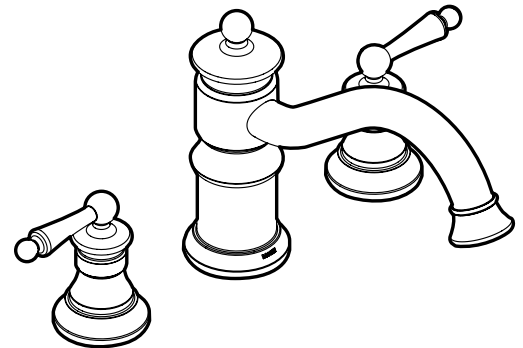
- 1248 cartridge design
- Non-metallic and stainless steel materials

**STANDARDS**

- Third party certified to CSA B125, ASME A112.18.1M, ANSI A117.1 and all applicable requirements referenced therein

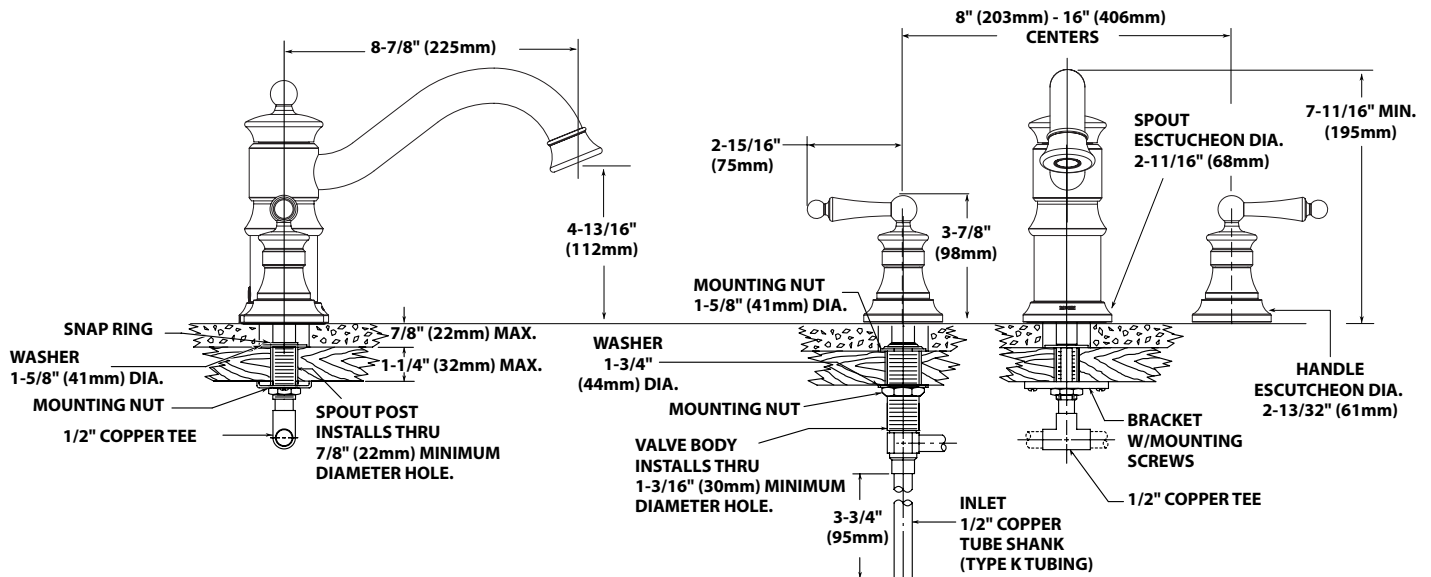
**WARRANTY**

- Lifetime limited warranty against leaks, drips and finish defects to the original consumer purchaser
- 5 year warranty if used in commercial installations



**Waterhill™  
Two-Handle Roman Tub Faucet**

**Models: S214, S214BN,  
S214ORB, S214NL, S214WR**



**NOTE:** THE INSTALLATION SHOWN IS FOR TILE DECKS, THIS VALVE WILL ALSO FIT STEEL, CAST IRON OR PLASTIC DECKS

**CRITICAL DIMENSIONS**

(DO NOT SCALE)