

## DESCRIPTION

- Metal construction with a chrome plated, LifeShine® polished brass, Platinum, Black Opal™, Classic Gold, or Satine™ finish
- Pressure balancing cycle valve
- 1/2" CC or IPS connections

## OPERATION

- Flow handle (lever) operates counterclockwise through a 180° arc with off at 6 o'clock and maximum flow at the 12 o'clock position. Shut off in clockwise direction
- Temperature handle (knob) operates through a 340° arc with maximum cold at full clockwise rotation (corresponding to the numeral 1) and maximum hot at full counterclockwise rotation (corresponding to the numeral 9)
- Thermostatic pressure balancing mechanism maintains selected discharge temperature to  $\pm 3^{\circ}\text{F}$
- Factory established temperature range from 85°F (29°C) to 115°F (46°C)

## FLOW

- Showerhead is limited to 2.5 gpm (9.5 L/min)

## CARTRIDGE

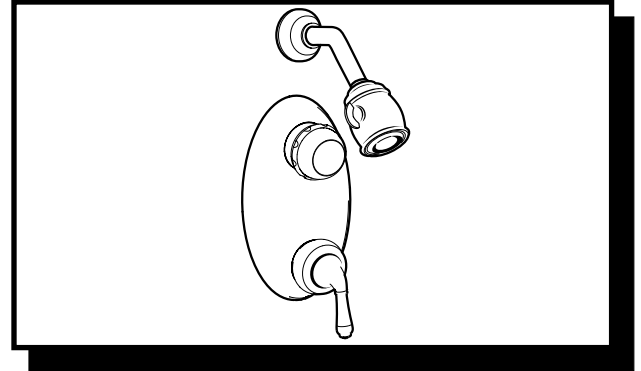
- Thermostatic pressure balancing cartridge design with nonmetallic/nonferrous materials
- 1248 cartridge design with nonmetallic/nonferrous and stainless steel materials

## STANDARDS

- Third party certified by CSA to meet CSA B-125, ASME A112.18.1M and all applicable requirements referenced therein including ASSE 1016

## WARRANTY

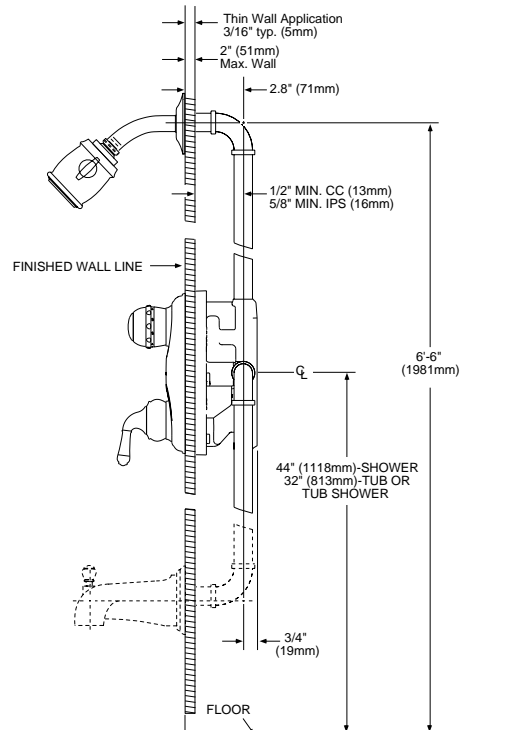
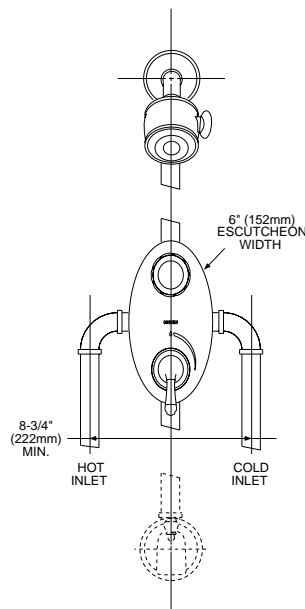
- Lifetime limited warranty against leaks, drips and finish defects to the original consumer purchaser
- 5 year warranty if used in commercial installations



### MONTICELLO® INSPIRATIONS™ ExactTemp™ Shower (Trim Only)

Models: RT3330, RT3330P, RT3330BP,  
RT3330PM, RT3330CG, RT3330ST  
Valves: 3301 (CC), 3321 (IPS)

**NOTE:** See reverse side  
for illustrated parts and handle options



## CRITICAL DIMENSIONS

(DO NOT SCALE)