

## DESCRIPTION

- Chrome plated metal construction with LifeShine® polished brass finish
- 1/2" supplies
- Includes lift rod

## OPERATION

- Pivot action lever style handle
- Temperature controlled through 180° degree arc of handle travel

## FLOW

- Aerator is limited to 2.2 gpm (8.3 L/min)

## CARTRIDGE

- 1225 cartridge design
- Nonmetallic/nonferrous and stainless steel material
- Can accommodate reversed piping and back to back installations

## STANDARDS

- Third party certified by CSA to meet CSA B-125, ASME A112.18.1M and all applicable requirements referenced therein and complies with the applicable requirements of ANSI A117.1
- Certified to ANSI/NSF 61/9
- Complies with California Proposition 65 and with the Federal Safe Water Drinking Act

## WARRANTY

- Lifetime limited warranty against leaks, drips and finish defects to the original consumer purchaser
- 5 year warranty if used in commercial installations

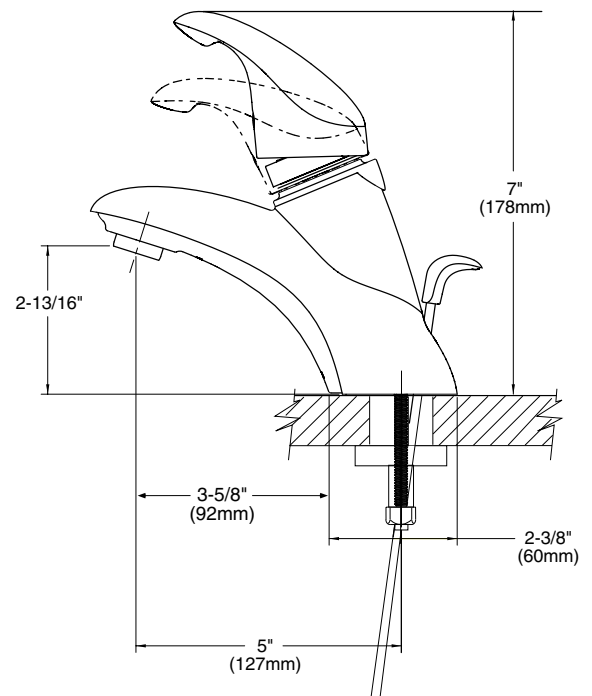
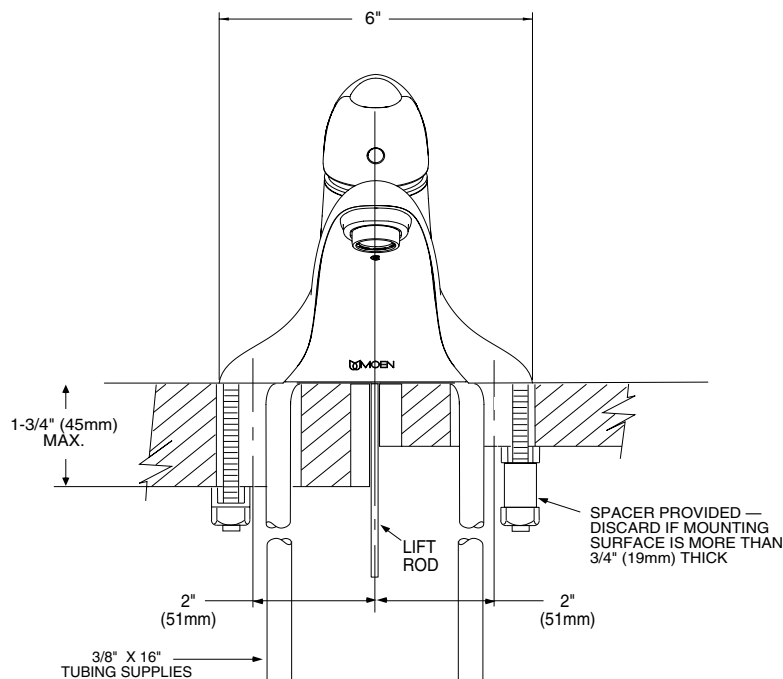


## Villela™ Single-Handle Lavatory Faucet

**Model: L64702, L64702CP**  
**(Bulk Packed 12 per carton)**

**NOTE: See reverse side  
for illustrated parts**

**NOTE: THIS FAUCET IS DESIGNED TO BE  
INSTALLED THRU 3-1" DIA. HOLES, 4" ON  
CENTER**



## CRITICAL DIMENSIONS

(DO NOT SCALE)