



Buy it for looks. Buy it for life.®

Specifications

Model Number	Faucet Holes	Depth-Inches	Drain Placement	ADA Compliant
G202153	3	7"	Center	
G202154	4	7"	Center	
G202131	1	8"	Center	
G202133 (pictured)	3	8"	Center	
G202134	4	8"	Center	
G202134B	4	8"	Rear (Center)	
G202334	4	L: 9", R: 7"	Center	
G202173B	3	5-1/2"	Rear (Center)	♿
G202174B	4	5-1/2"	Rear (Center)	♿



SINK DESCRIPTION

- 2000 Series double bowl drop-in sink
- 20 gauge stainless steel, brushed finish
- U-channel mounting system, hardware included
- SoundSHIELD™ sound absorbing system

WARRANTY

- Lifetime limited warranty to the original homeowner
- 10 year limited warranty when used in a Multi-family installation
- 5 year limited warranty when used in a Commercial installation
- Visit www.moen.com/customer-support/warranty for complete details and limitations

SINK DIMENSIONS

- Overall: 33" x 22"
- Left Bowl: 14" x 16"
- Right Bowl: 14" x 16"
- Drain Size: 3-5/8"

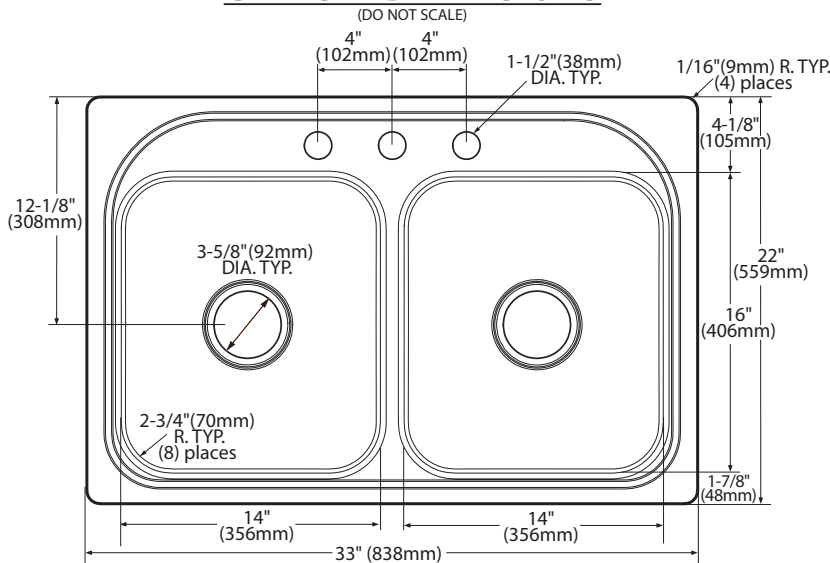
CUT OUT DIMENSIONS

- 32-1/2" x 21-1/2" with 3/8" corner radius, tolerance of plus or minus 1/16" is acceptable

STANDARDS

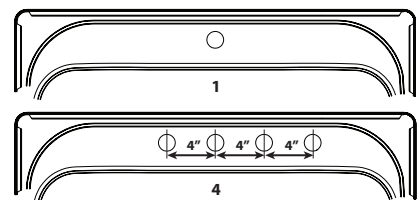
- Third party certified to meet ASME A112.19.3/CSA B45.4 and all applicable specifications referenced therein

CRITICAL DIMENSIONS

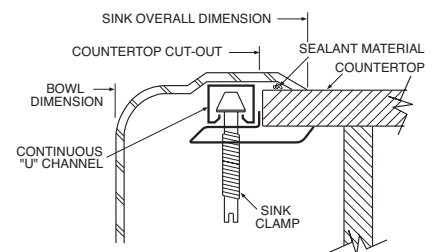


Faucet Hole Configurations

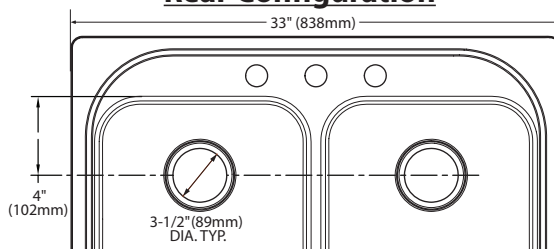
1-1/2" (38mm) diameter faucet holes
4" (102mm) Center



Installation Detail



Rear Configuration



MADE IN THE USA