

DESCRIPTION

- Brass construction with chrome plated finish
- 1/2" IPS connections
- 8" widespread
- Vandal resistant torx head screws
- Vandal resistant aerator

OPERATION

- Lever style handles with hot and cold color indicators

FLOW


- Aerator is limited to 2.2 gpm max. (8.3 L/min)
- Aerator is limited to 0.5 gpm max. for model #8221

CARTRIDGE

- Brass shell, ceramic disc cartridge
- 1/4 turn operation

STANDARDS

- Third party certified to ASME A112.18.1M/CSA B-125 and all applicable requirements referenced therein including NSF 61/9
- Contains no more than 0.25% weighted average lead content
- Complies with California Proposition 65 and with the Federal Safe Water Drinking Act

- **ADA**  for lever handles

WARRANTY

- Warranted for 5 years against material or manufacturing defects

Two-Handle Lavatory Faucet

Models: CA8220, CA8221, CA8223, CA8224

CA8220 is w/o waste 2.2gpm

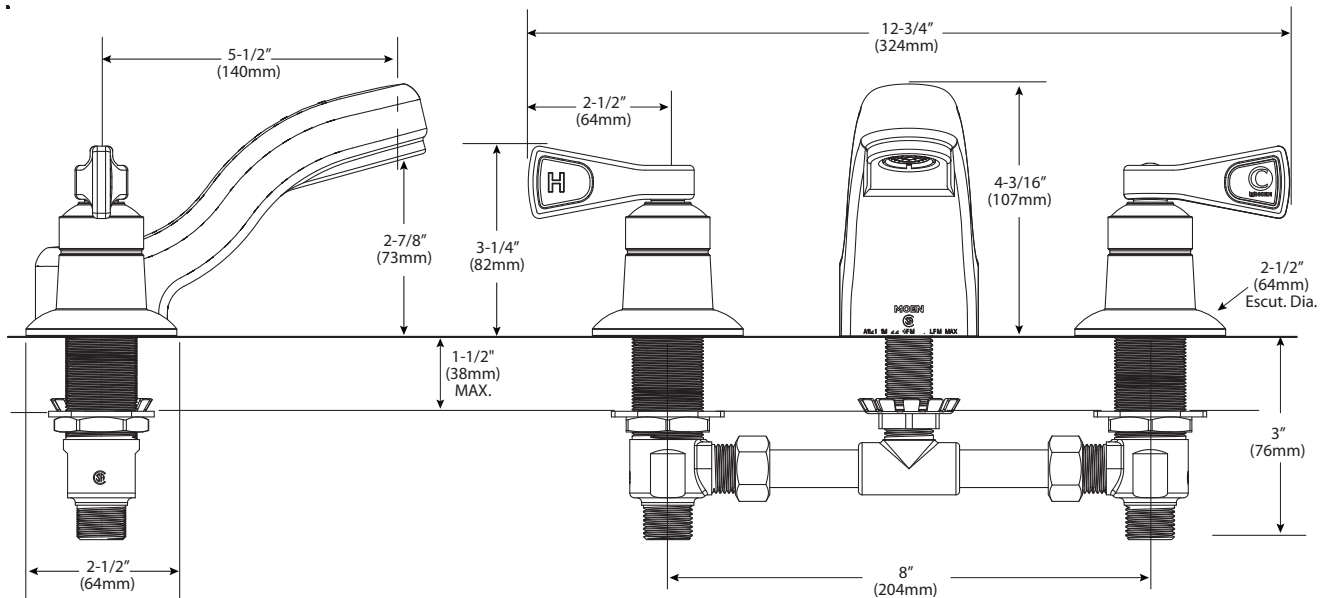
CA8221 is w/o waste 0.5gpm

CA8223 with metal drain assembly

*CA8224 uses 14750 grid strainer



NOTE: Designed to be installed through 3 holes - 1" min. dia.



CRITICAL DIMENSIONS

(DO NOT SCALE)