



Buy it for looks. Buy it for life.®

Specifications

FAUCET DESCRIPTION

- Pullout faucet spout provides infinite maneuverability for cleaning or rinsing
- Metal construction with chrome plated or LifeShine® Stainless finish
- Hydrolock® quick connect installation
- Pullout spray with 68" braided hose
- 1/2" IPS connections will accept standard ball nose connection for 3/8" tubing

OPERATION

- Single handle lever
- When filling a vessel outside of the sink, the pause feature conveniently stops the flow of water as the wand passes over the countertop.
- Convenient single-button actuation provides flexibility to switch from stream to spray mode
- Temperature controlled by 120° arc of handle travel
- Spout receptor rotation is 120°
- Operates with less than 5 lbs. of force

FLOW

- Maximum flow is limited to 2.2 gpm (8.3 L/min) at 60 psi

CARTRIDGE

- 1225 cartridge design
- Engineered polymers, non-ferrous and stainless steel materials

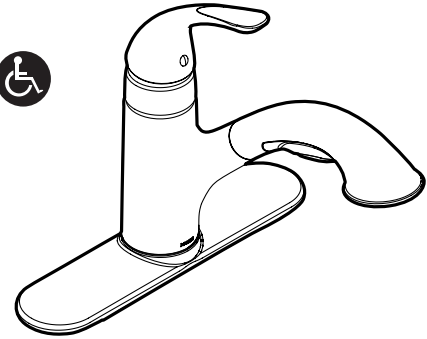
STANDARDS

- Designed and manufactured to comply with the requirements of: CSA B-125, ASME A112.18.1M, NSF 61 Section 9, California Proposition 65, ANSI A117.1, ADA
- The backflow protection system in this device consists of two independently operating check valves, a primary and a secondary which prevent backflow.

WARRANTY

- Lifetime limited warranty against leaks, drips and finish defects to the original consumer purchaser
- 5 year warranty if used in commercial installations

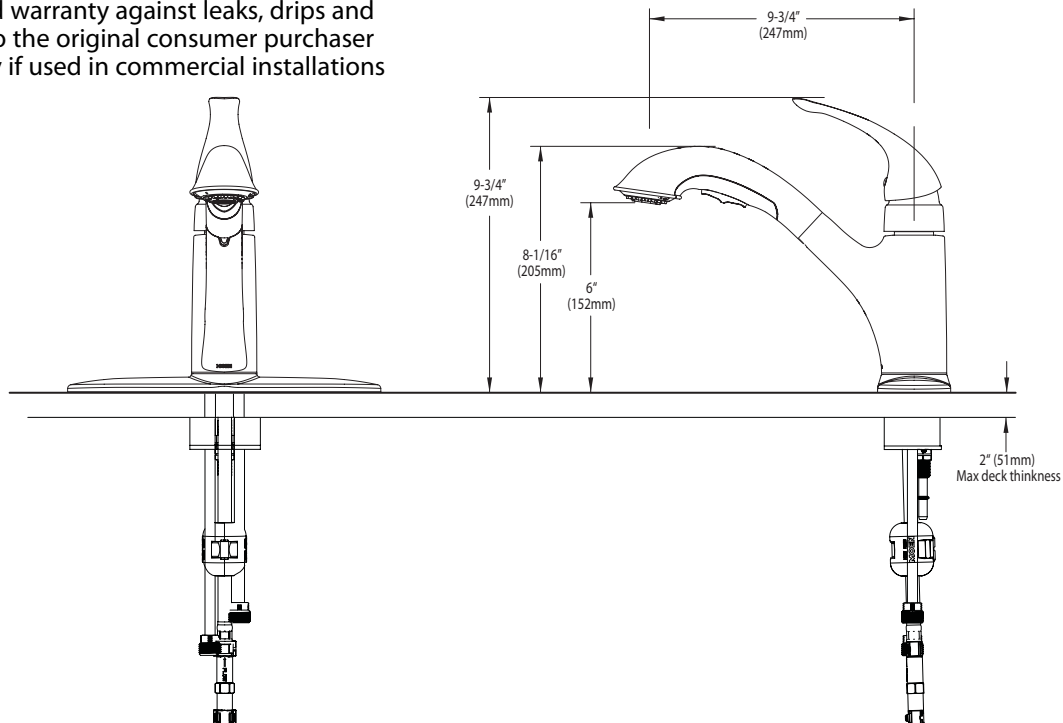
ADA



Single Control Kitchen Faucet

Models: 87550C, 87550SL

NOTE: DESIGNED TO INSTALL THRU 1 OR 3 HOLES 1-1/4" (32mm) MIN. DIA.



CRITICAL DIMENSIONS

(DO NOT SCALE)

FOR MORE INFORMATION CALL: 1-800-BUY-MOEN

www.moen.com