



Buy it for looks. Buy it for life.®

# Specifications

## FAUCET DESCRIPTION

- Metal construction with various finishes identified by suffix
- 1/2" IPS connections
- Includes Protégé side spray and hose in deck escutcheon

## OPERATION

- Lever style chrome handle
- Temperature controlled by 180° arc of handle travel
- Will operate with less than 5lbs. of force


## FLOW

- Aerator is limited to 2.2 gpm max (8.3 L/min)

## CARTRIDGE

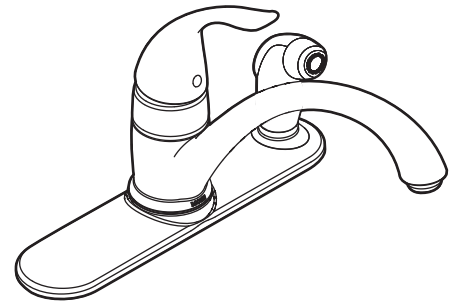
- 1225 cartridge design
- Nonmetallic/nonferrous and stainless steel material

## STANDARDS

- Third party certified to: CSA B-125.1, ASME A112.18.1, ICC A117.1 and all applicable requirements referenced therein
- Certified to ANSI/NSF 61/9
- Complies with California Proposition 65 and with the Federal Safe Water Drinking Act
- ADA  for lever handles

## WARRANTY

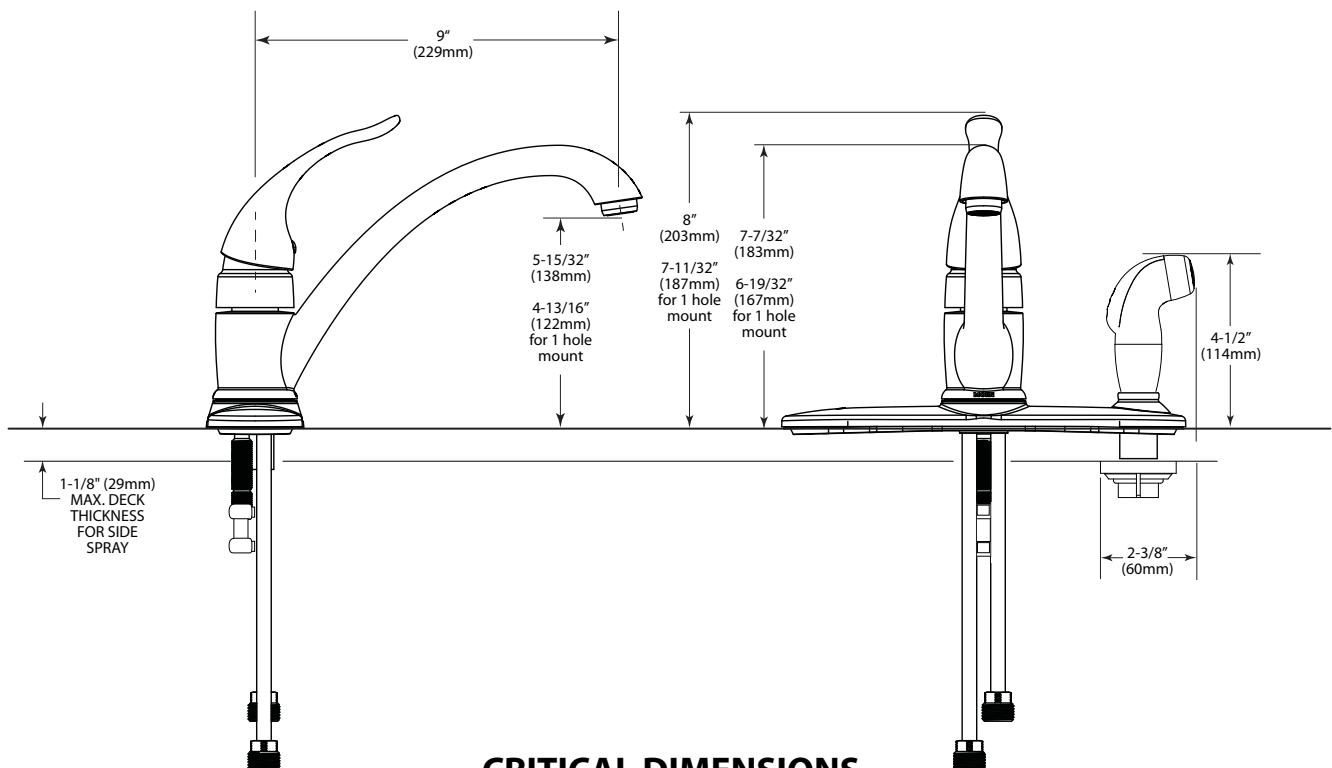
- Lifetime limited warranty against leaks, drips and finish defects to the original consumer purchaser
- 5 year warranty if used in commercial installations



**Single-Handle Kitchen Faucet  
w/ Protégé® Side Spray**

**Models:** 87484 series

**NOTE:** DESIGNED TO INSTALL THROUGH  
3 HOLES 1-1/4" (32mm) MIN. DIA.  
Also has single hole mount capability.



## CRITICAL DIMENSIONS

(DO NOT SCALE)