



Buy it for looks. Buy it for life.®

# Specifications

## FAUCET DESCRIPTION

- Metal construction with various finishes identified by suffix
- Inlet shanks will accept 3/8" ball nose connections
- Includes side spray with Duralock™ quick-connect installation for 87480 series

## OPERATION

- Lever style handle
- Pull-on/Push-off
- Operates with less than 5 lbs. of force

## FLOW

- Aerator is limited to 1.5 gpm max (7.6 L/min)

## CARTRIDGE

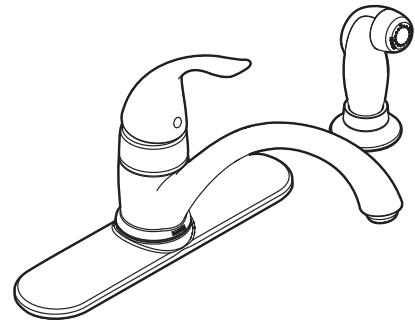
- 1255 Duralast™ Cartridge
- Nonmetallic/nonferrous and stainless steel materials

## STANDARDS

- Third party certified to: CSA B125.1, ASME A112.18.1, and all applicable requirements referenced therein.
- Certified to ANSI/NSF 61/9 & 372
- Complies with California Proposition 65 and with the Federal Safe Water Drinking Act
- **ADA** ♿ for lever handles
- Contains no more than 0.25% weighted average lead content – meets Georgia SB370 requirements

## WARRANTY

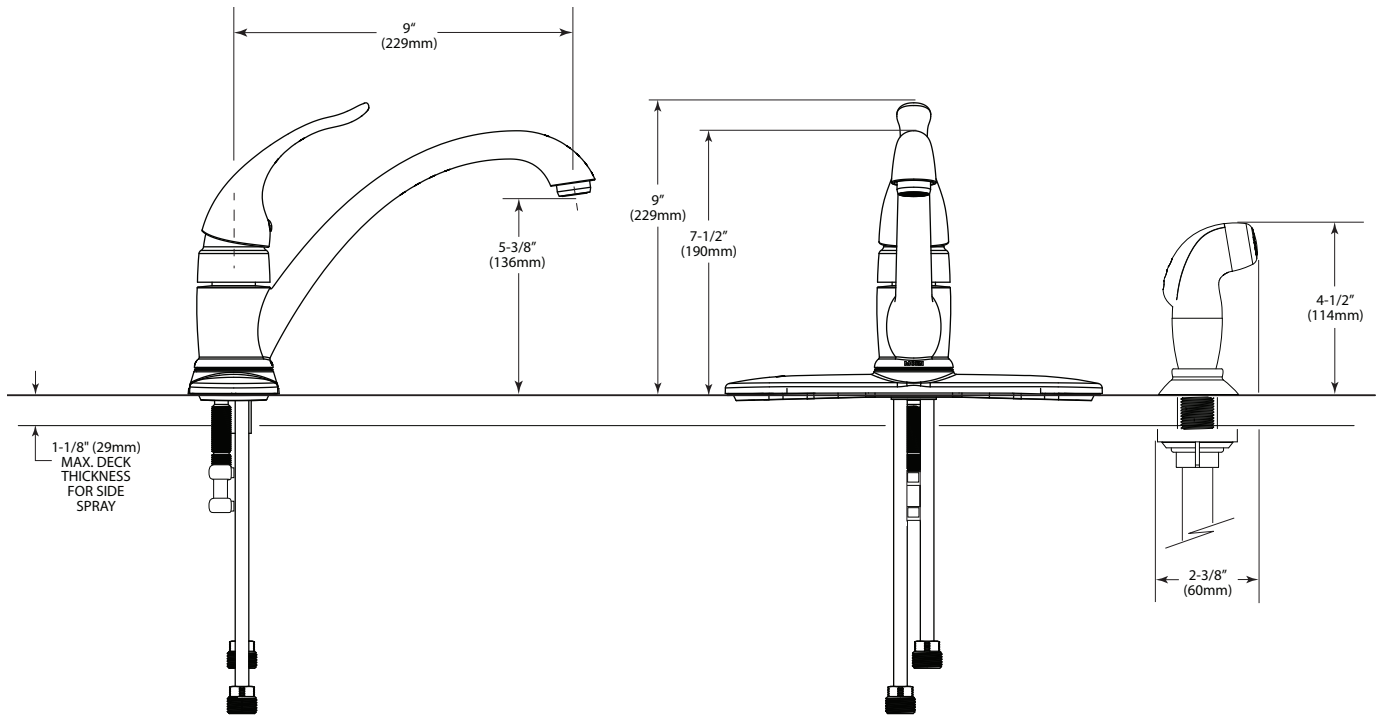
- Lifetime limited warranty against leaks, drips and finish defects to the original consumer purchaser
- 5 year warranty if used in commercial installations



## Single Handle Lever Kitchen Faucet with Protégé® Side Spray

**Models:** 87480 series  
87485 - Less Side Spray

**NOTE:** DESIGNED TO INSTALL THROUGH 4 HOLES 1-1/4" (32mm) MIN. DIA. AND 4" (102mm) ON CENTER. Also has single hole mount capability.



## CRITICAL DIMENSIONS

(DO NOT SCALE)

FOR MORE INFORMATION CALL: 1-800-BUY-MOEN

[www.moen.com](http://www.moen.com)