

DESCRIPTION

- Metal construction with chrome plated, Brushed Platinum, Wrought Iron or Antique Nickel finish
- 1/2" IPS connections
- Includes hot and cold indicators
- Includes metal pop-up type waste assembly

OPERATION

- Lever style handles
- Maximum handle rotation angle is 90° to full on for either handle
- Hot side counterclockwise to open (clockwise to close)
- Cold side clockwise to open (counterclockwise to close)

FLOW

- Aerator is limited to 2.2 gpm (8.3 L/min)

CARTRIDGE

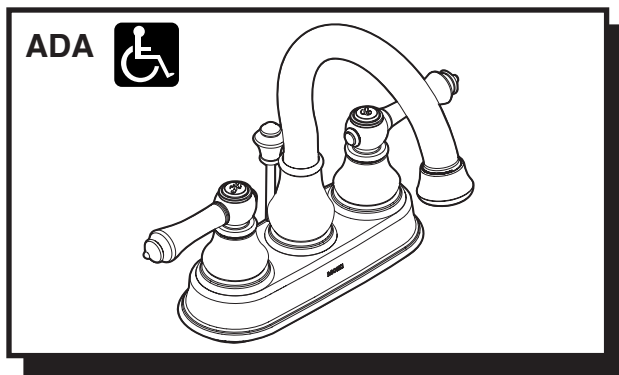
- 1224 Cartridge design
- Nonmetallic and stainless steel material

STANDARDS

- Third party certified to CSA B125, ASME A112.18.1M, ANSI A117.1 and all applicable requirements referenced therein.
- Certified to ANSI/NSF 61/9
- Complies with California Proposition 65 and with the Federal Safe Water Drinking Act

WARRANTY

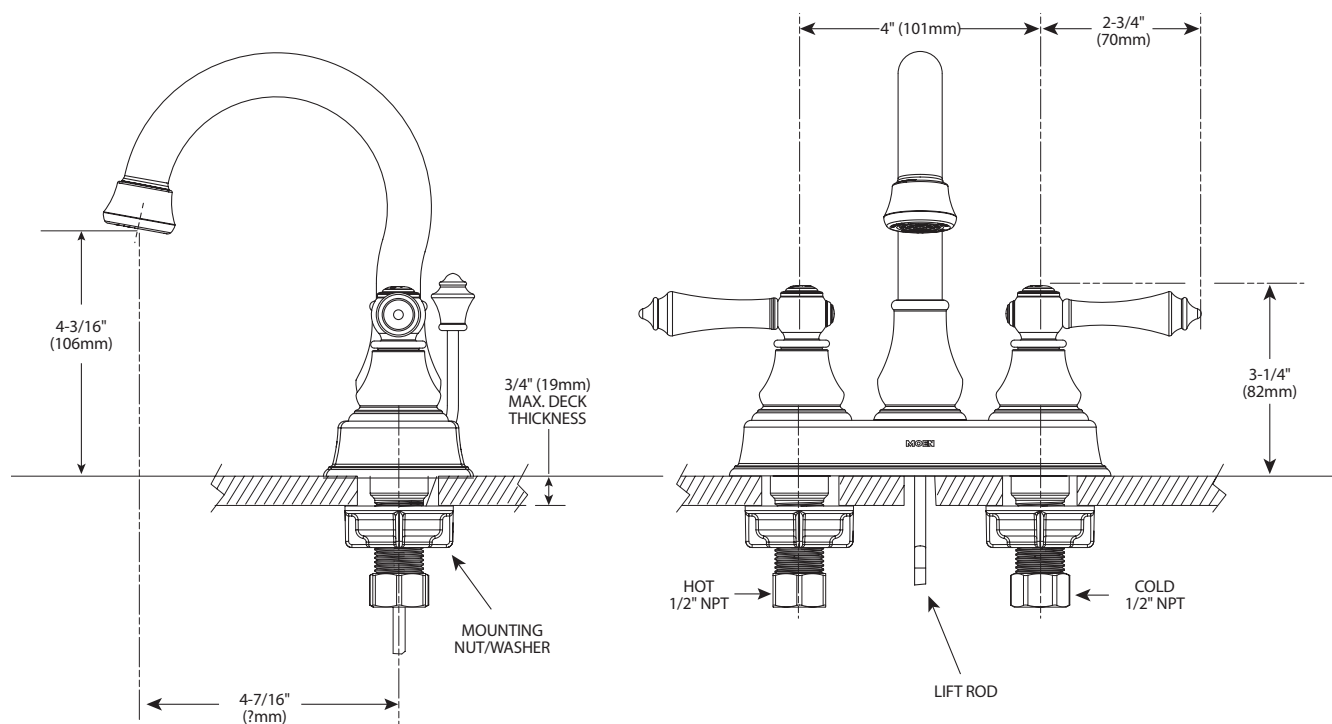
- Lifetime limited warranty against leaks, drips and finish defects to the original consumer purchaser
- 5 year warranty if used in commercial installations



DORSEY™
Two Handle Lavatory Faucet

Models: 84102, 84102SLP, 84102WR, 84102AN

NOTE: THIS FAUCET IS DESIGNED TO BE INSTALLED THRU 3 HOLES, 1" (25mm) MIN. DIA.



CRITICAL DIMENSIONS

(DO NOT SCALE)