



Buy it for looks. Buy it for life.®

Specifications

DESCRIPTION

- Component construction with various finishes identified by suffix
- Pressure balancing cycle valve design with an adjustable temperature limit stop
- 1/2" IPS connections
- Includes valve, showerhead, tub spout, arm and flange


OPERATION

- Lever style handle
- Handle operates counterclockwise through a 270° arc with off at 6 o'clock and maximum hot at the 9 o'clock position. Shut off in clockwise direction
- Adjustable temperature limit stop to control maximum hot water temperature
- Pressure balancing mechanism maintains selected discharge temperature to $\pm 2^\circ$

FLOW

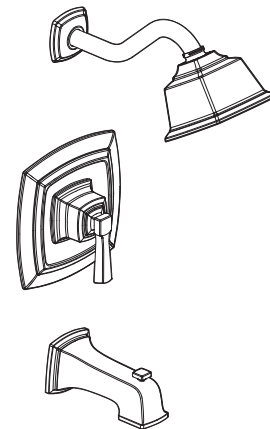
- Showerhead is limited to 2.5 gpm (9.5 L/min) for models prior to 10/2013
- EP suffix models and models after 10/2013, showerheads limited to 2.0 gpm (7.6 L/min) maximum, and 1.5 gpm (5.7 L/min) minimum at 45 psi

STANDARDS

- Third party certified to ASME A112.18.1/CSA B-125.1 and all applicable requirements referenced therein
- **ADA**  for lever handle
- Meets WaterSense® criteria for EP suffix models and models after 10/2013
- Meets New York City Local Law No. 57 for EP suffix models and models after 10/2013

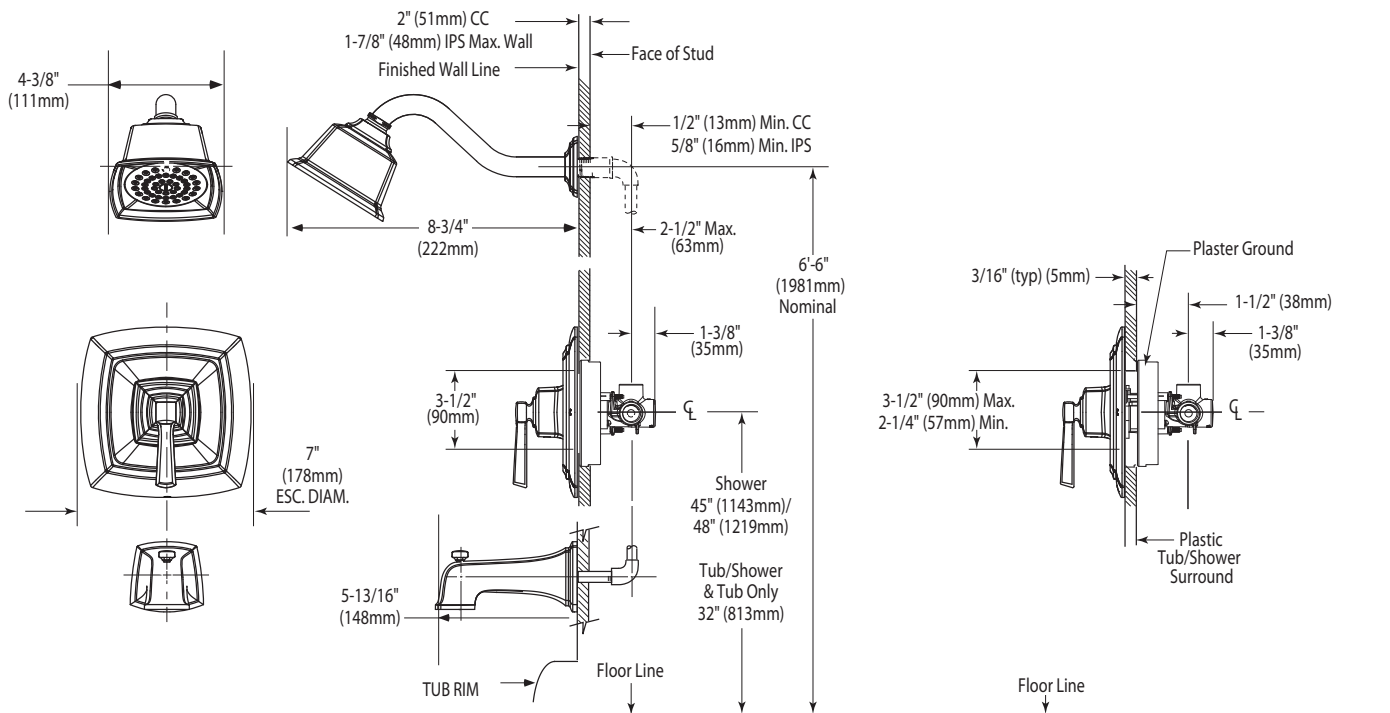
WARRANTY

- Lifetime limited warranty against leaks, drips and finish defects to the original consumer purchaser
- 5 year warranty if used in commercial installations



BOARDWALK™ Single-Handle Tub/Shower

Model : 82830 series



CRITICAL DIMENSIONS

(DO NOT SCALE)