

## FAUCET DESCRIPTION

- Metal construction with chrome plated or LifeShine® copper finish
- 1/2" IPS connections
- Lever style handles

## OPERATION

- Hot side counterclockwise to open (clockwise to close)
- Cold side clockwise to open (counterclockwise to close)

## FLOW

- Aerator is limited to 2.2 gpm (8.3 L/min)

## CARTRIDGE

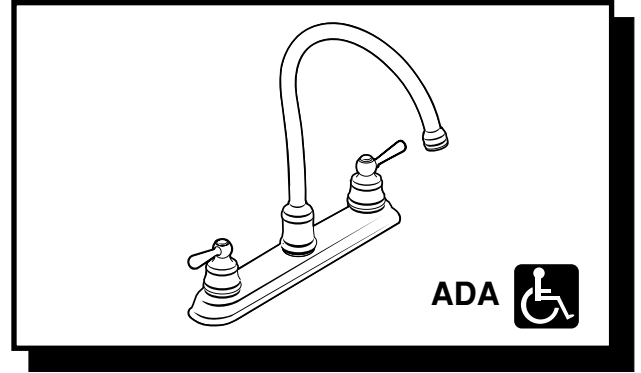
- 1224 cartridge design
- Nonmetallic and stainless steel material

## STANDARDS

- Designed and manufactured to comply with the requirements of: CSA B-125, ASME A112.18.1M, and all applicable requirements referenced therein and complies with the applicable requirements of ANSI A117.1
- Certified to ANSI/NSF 61/9
- Complies with California Proposition 65 and with the Federal Safe Water Drinking Act

## WARRANTY

- Lifetime limited warranty against leaks, drips and finish defects to the original consumer purchaser
- 5 year warranty if used in commercial installations



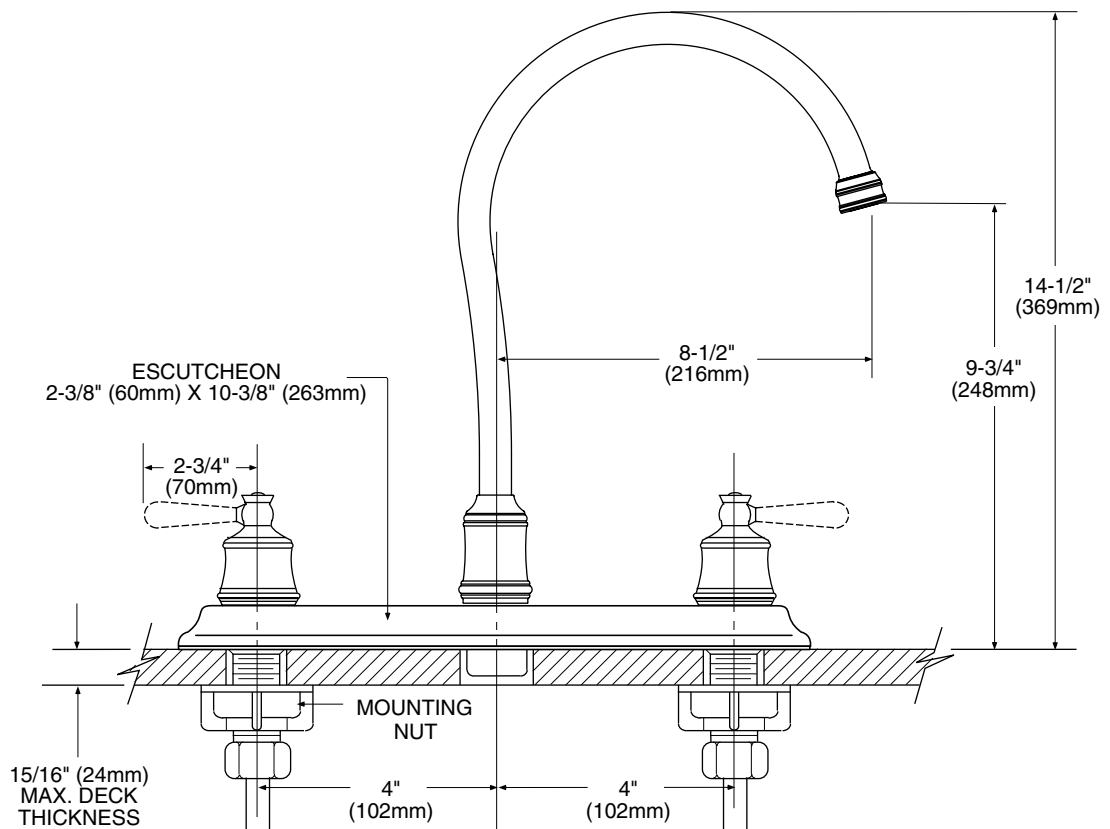
### TRADITIONAL® Two-Handle Lever Style Kitchen Faucet

(Less Handle Inserts on 7000 series models)  
(Handle Inserts included on 80000 series models)

**Models: 7985, 7985CPR, 87985**

**NOTE: See reverse side  
for illustrated parts**

**NOTE: This faucet is designed to be  
installed through 3 holes 1" Min. Dia.**



## CRITICAL DIMENSIONS

(DO NOT SCALE)