

FAUCET DESCRIPTION

- Chrome plated metal construction
- 1/2" IPS connections will accept standard ball nose connection for 3/8" tubing
- 11" Hi-Fill swing spout

OPERATION

- Cross style handles
- Operate the faucet by rotating either handle in a counterclockwise manner to open, and clockwise to close.

FLOW

- Aerator is limited to 2.2 gpm max (8.3 L/min)

CARTRIDGE

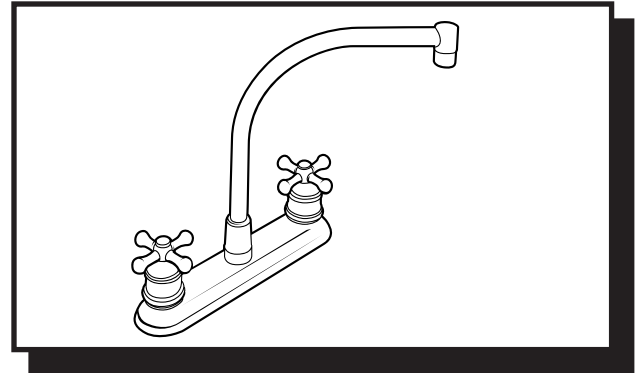
- 1224 cartridge design
- Nonmetallic and stainless steel material

STANDARDS

- Third party certified by CSA to meet CSA B-125, ASME A112.18.1M and all applicable requirements referenced therein.
- Certified to ANSI/NSF 61/9
- Complies with California Proposition 65 and with the Federal Safe Water Drinking Act

WARRANTY

- Lifetime limited warranty against leaks, drips and finish defects to the original consumer purchaser
- 5 year warranty if used in commercial installations

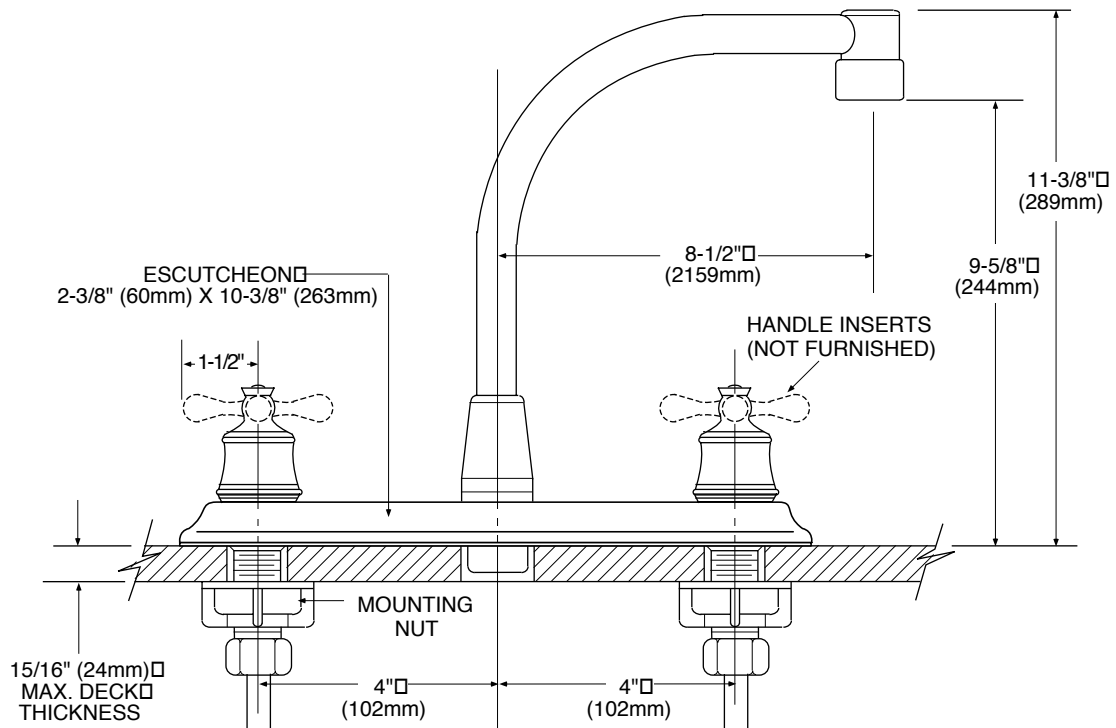


**TRADITIONAL®
Two-Handle Lever Style Kitchen Faucet**

Model: 7965

**NOTE: See reverse side
for illustrated parts**

**NOTE: This faucet is designed to be
installed through 3 holes 1" Min. Dia.**



CRITICAL DIMENSIONS

(DO NOT SCALE)