



Buy it for looks. Buy it for life.®

There is more than 1 version of this model.  
Page down to identify the version you have.

**DESCRIPTION**

- Metal construction with various finishes identified by suffix
- Flexible supplies with 3/8" compression fittings
- Includes matching finish side spray where noted

**OPERATION**

- Lever style handle
- Temperature controlled by 100° arc of handle travel
- Will operate with less than 5 lbs. of force

**FLOW**


- Aerator is limited to 2.2 gpm (8.3 L/min).

**CARTRIDGE**

- 1255™ Duralast™ cartridge

**STANDARDS**

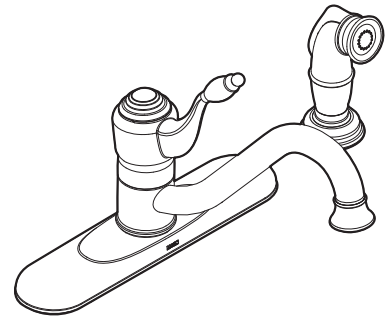
- Third party certified to CSA B125.1, ASME A112.18.1, and all applicable requirements referenced therein including NSF 61/9
- Contains no more than 0.25% weighted average lead content
- Complies with California Proposition 65 and with the Federal Safe Drinking Water Act

- **ADA**  for lever handles

**WARRANTY**

- Lifetime limited warranty against leaks, drips and finish defects to the original consumer purchaser
- 5 year warranty if used in commercial installations

# Specifications



**CASTLEBY™**

**Single-Handle Lever Kitchen Faucet**

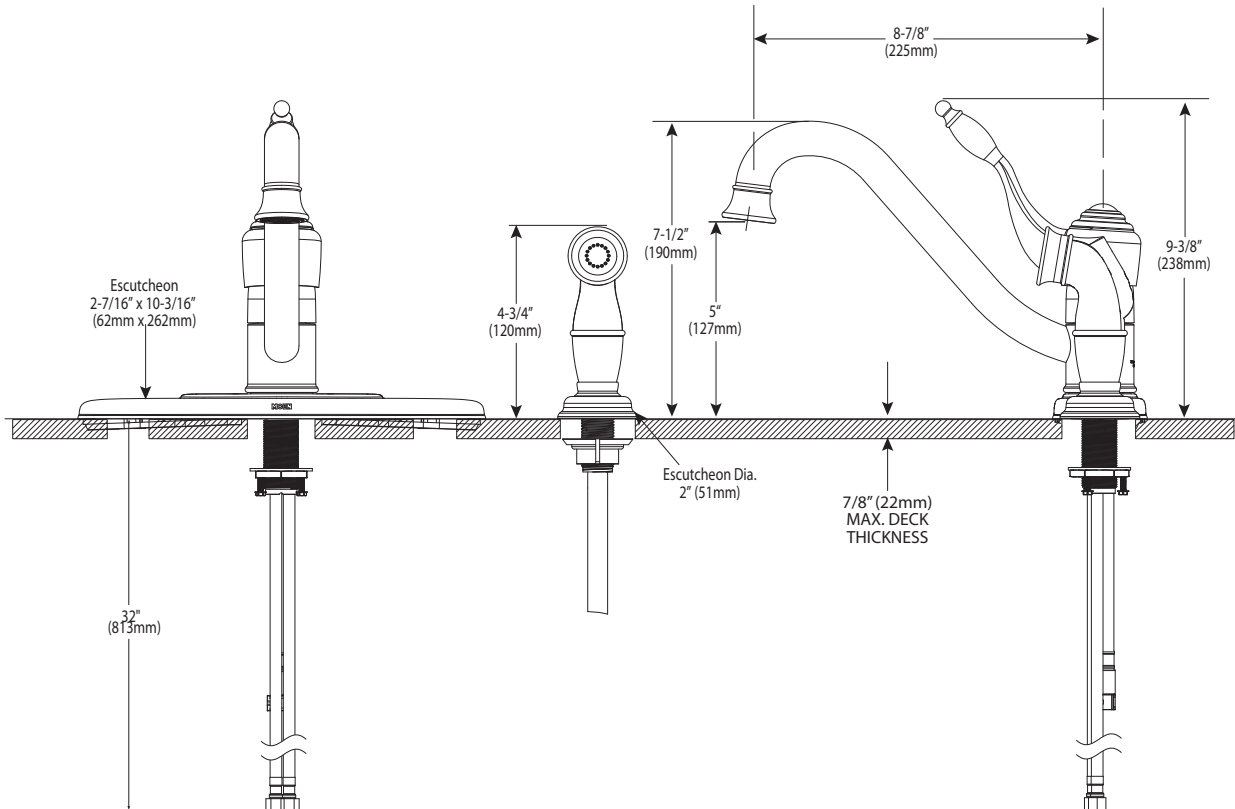
**Models:** 7308 series with spray

**Models:** 7307 series less Spray

**Bulk Models:** 67308 series with spray

**Bulk Models:** 67307 series less spray  
**(packed 12 per carton)**

**NOTE:** DESIGNED TO INSTALL THROUGH 4 HOLES  
1-1/4" (32MM) MIN. DIA. AND 4" (102MM) ON CENTER



**CRITICAL DIMENSIONS**

(DO NOT SCALE)



Buy it for looks. Buy it for life.®

# Specifications

## DESCRIPTION

- Metal construction with various finishes identified by suffix
- 1/2" IPS connections will accept standard ball nose connection for 3/8" tubing
- Includes matching finish side spray where noted

## OPERATION

- Lever style handle
- Temperature controlled by 180° arc of handle travel
- Will operate with less than 5 lbs. of force


## FLOW

- Aerator is limited to 2.2 gpm (8.3 L/min).

## CARTRIDGE

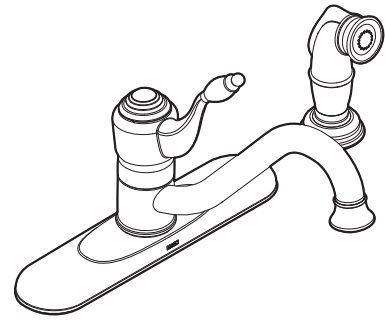
- 1225 cartridge design
- Nonmetallic, nonferrous and stainless steel material

## STANDARDS

- Third party certified to CSA B125.1, ASME A112.18.1, ICC 117.1, "and all applicable requirements referenced therein including NSF 61/9
- Complies with California Proposition 65 and with the Federal Safe Drinking Water Act
- ADA  for lever handles

## WARRANTY

- Lifetime limited warranty against leaks, drips and finish defects to the original consumer purchaser
- 5 year warranty if used in commercial installations



## CASTLEBY™

### Single-Handle Lever Kitchen Faucet

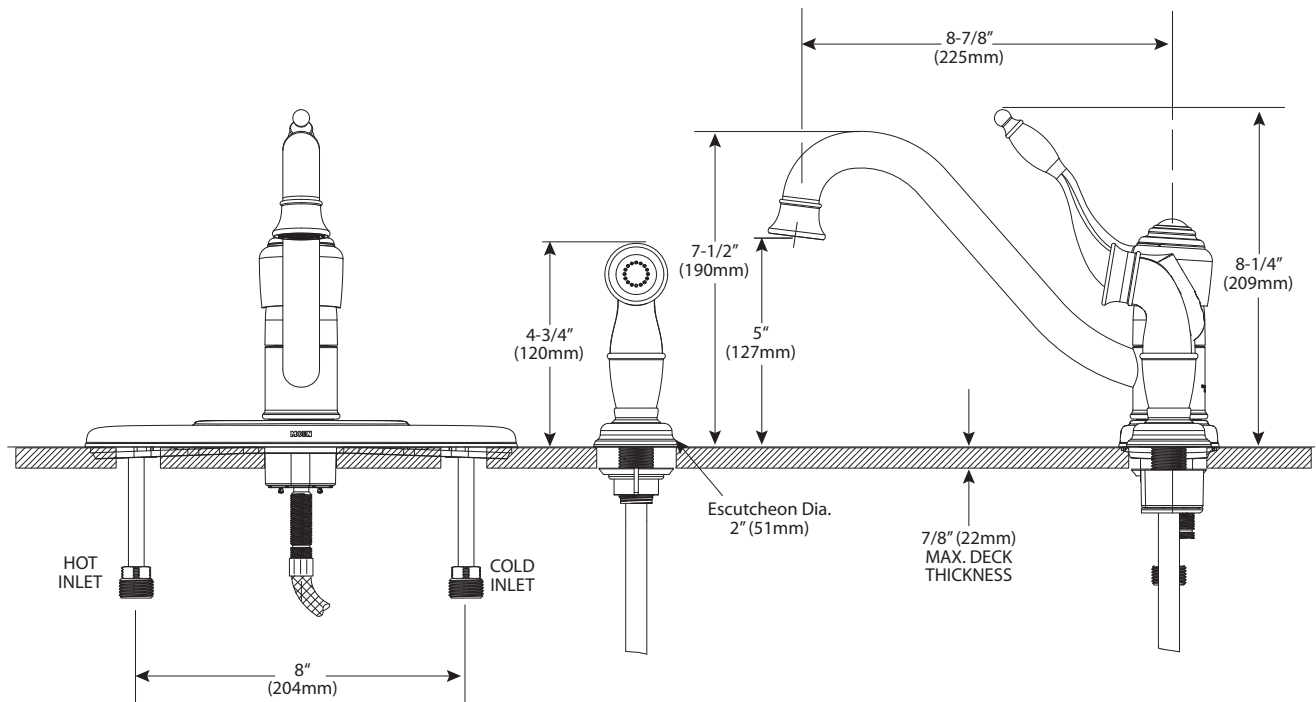
**Models:** 7308 series with spray

**Models:** 7307 series less Spray

**Bulk Models:** 67308 series with spray

**Bulk Models:** 67307 series less spray  
**(packed 12 per carton)**

**NOTE:** DESIGNED TO INSTALL THROUGH 4 HOLES  
1-1/4" (32MM) MIN. DIA. AND 4" (102MM) ON CENTER



## CRITICAL DIMENSIONS

(DO NOT SCALE)

FOR MORE INFORMATION CALL: 1-800-BUY-MOEN

www.moen.com