



Buy it for looks. Buy it for life.®

Specifications

FAUCET DESCRIPTION

- Metal construction with various finishes identified by suffix
- 1/2" IPS connections will accept standard ball nose connection for 3/8" tubing
- Carbon block filter technology manufactured by Culligan®
- Electronic filter life indicator takes standard 2032 watch battery (included)

OPERATION

- Lever style handle
- Temperature controlled by 180° arc of handle travel
- Will operate with less than 5 lbs. of force
- Filtered water dispensed through separate channel

FLOW

- Unfiltered flow is limited to 2.2 gpm (8.3 L/min) at 60 psi
- Filtered flow is limited to .5 gpm

CARTRIDGE

- 1225 cartridge design
- Nonmetallic, nonferrous and stainless steel material

STANDARDS

Faucet:

- Complies with: CSA B-125, ASME A112.18.1M, IAPMO PS 49, NSF 61 Section 9, California Proposition 65, ANSI A117.1, ADA and the Federal Safe Water Drinking Act

Filter:

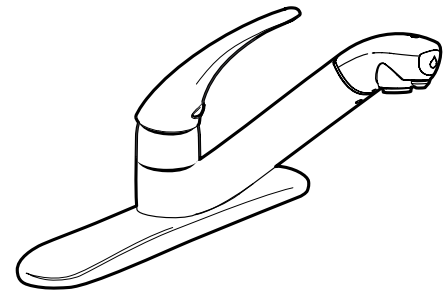
- MicroTech 600
- Complies with: NSF42-Chlorine reduction, Class I; Taste and Odor reduction

- **ADA**  for lever handle

WARRANTY

Faucet:

- Lifetime limited warranty against leaks, drips and finish defects to the original consumer purchaser
- 5 year warranty if used in commercial installations



PureTouch® Classic™ Single-Handle Kitchen Filtering Faucet

Models: 7025 series

NOTE: DESIGNED TO INSTALL THROUGH 1 HOLE
1-1/4" (32mm) MIN. DIA. AND 4" (102mm) ON CENTER

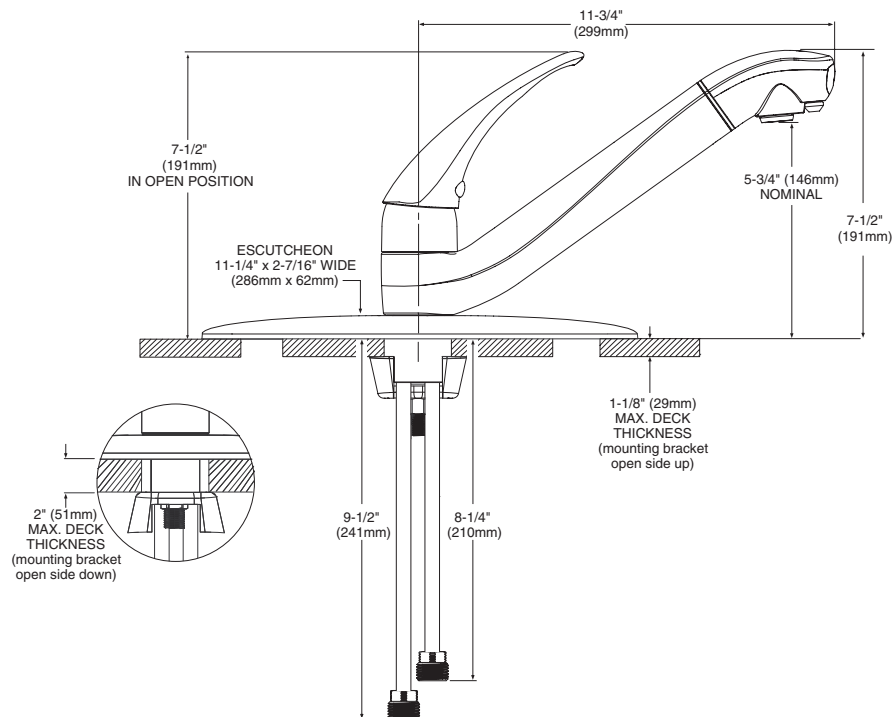
WARRANTY

Filtering Appliance:

- One year limited warranty on manufacturer's defects to the original consumer purchaser
- 6 month warranty if used in commercial installations

Filter:

- 30 day warranty on manufacturer's defects



CRITICAL DIMENSIONS

(DO NOT SCALE)