

DESCRIPTION

- Metal construction with a chrome plated, or LifeShine® polished brass finish
- Designed to be installed on built-up decks or on finished surfaces up to 1-1/2" (38mm) thick.

OPERATION

- Acrylic knob style handles
- Rotate either handle counterclockwise to open (clockwise to close).

FLOW

- Designed to deliver 18 gpm at 40 psi.

CARTRIDGE

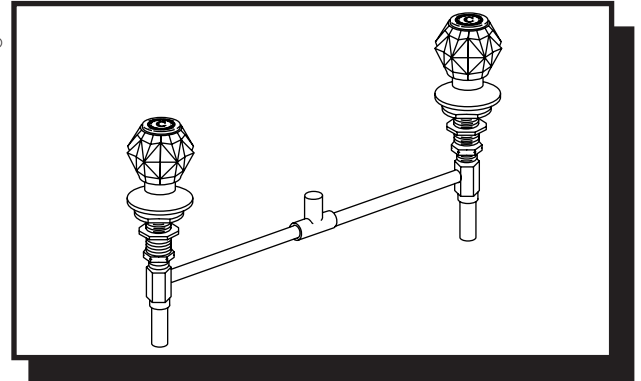
- Nonmetallic and stainless steel materials

STANDARDS

- Designed and manufactured to comply with the applicable requirements of: CSA B-125 and ASME A112.18.1M and all applicable requirements referenced therein

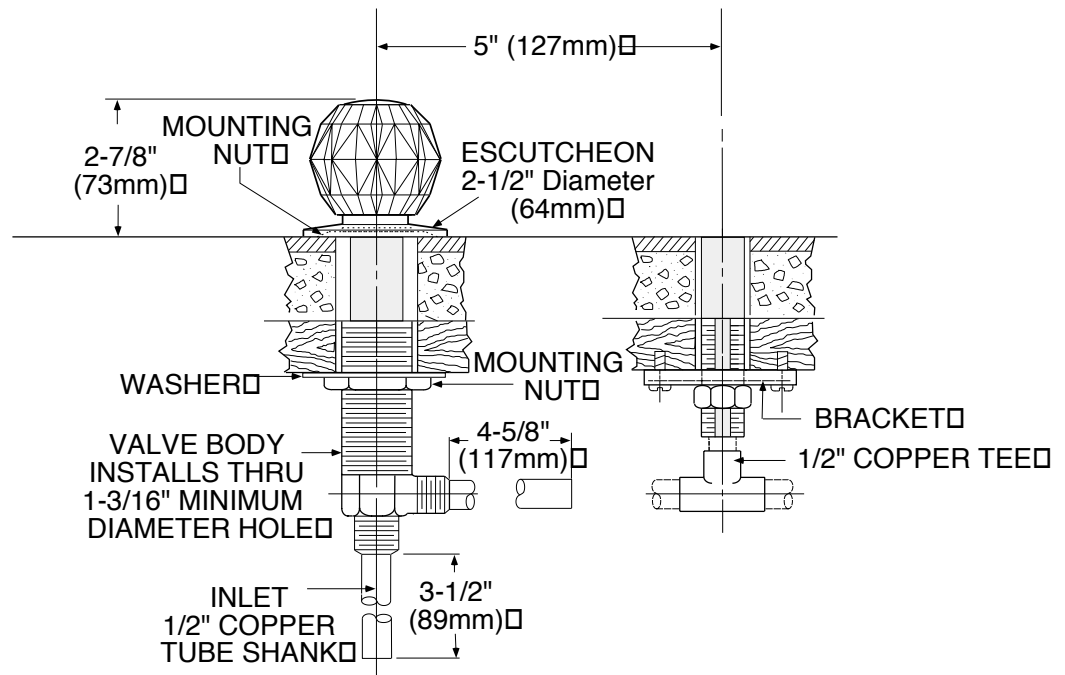
WARRANTY

- Lifetime limited warranty against leaks, drips and finish defects to the original consumer purchaser
- 5 year warranty if used in commercial installations



CHATEAU®
Two-Handle Roman Tub Valve and
Handle Trim
Models: 6979, 6979P

NOTE: See reverse side for illustrated parts



NOTE: THE INSTALLATION SHOWN IS FOR TILE DECKS. THIS VALVE WILL ALSO FIT STEEL, CAST IRON OR PLASTIC DECKS

CRITICAL DIMENSIONS

(DO NOT SCALE)