



Buy it for looks. Buy it for life.®

# Specifications

## DESCRIPTION

- Two-handle shower faucet with chrome plated finish
- Includes individual hot & cold valves, showerhead, arm, & flange
- 2-port valve body connections are G1/2"

## OPERATION

- Cold handle rotates clockwise 90° to full open (counterclockwise to close)
- Hot handle rotates counterclockwise 90° to full open (clockwise to close)

## FLOW

- Showerhead flow is limited to 1.75 gpm (6.7 L/min)

## CARTRIDGE

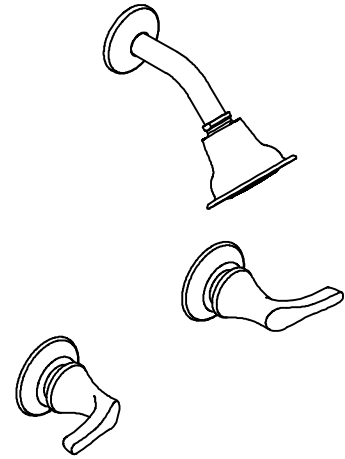
- 1224 (high-flow) cartridge design
- Nonmetallic & stainless steel materials

## STANDARD

- Designed to meet GB standards

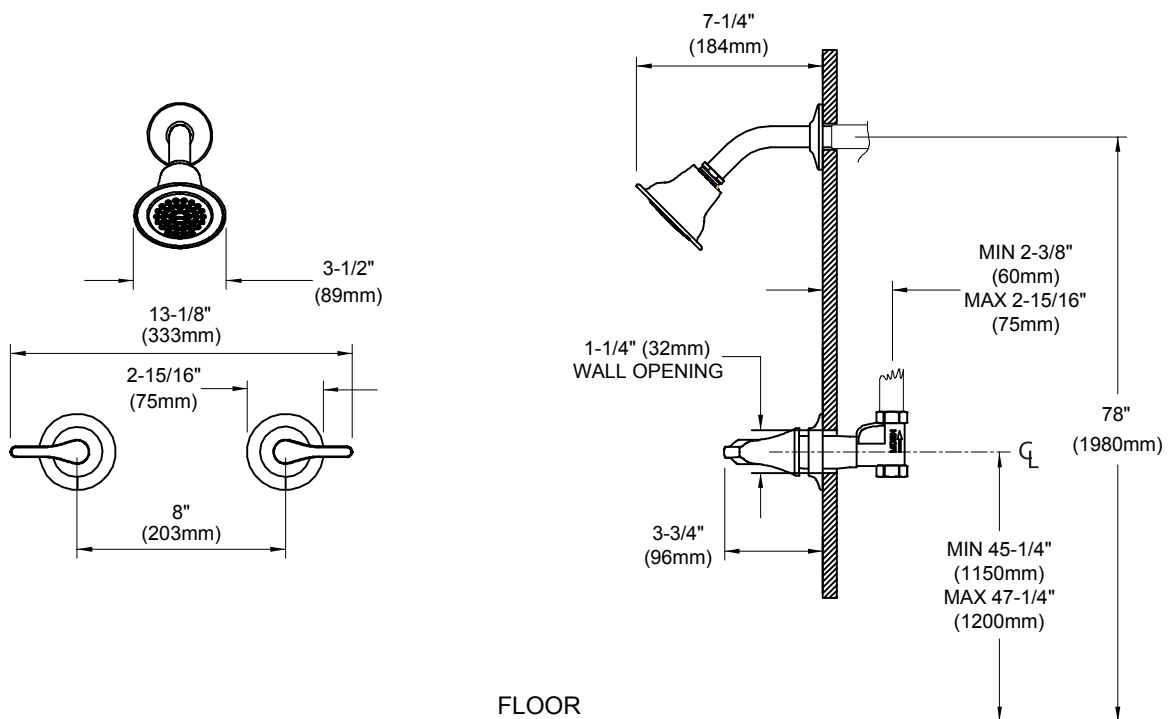
## WARRANTY

- Lifetime limited warranty against leaks, drips, and finish defects to the original consumer purchaser
- 5 year warranty if used in commercial installations



## DANIKA™ Two-Handle Shower Faucet

Model: 68893, 88893



## CRITICAL DIMENSIONS

(DO NOT SCALE)