



Specifications

Buy it for looks. Buy it for life.®

DESCRIPTION

- Reflex™ pulldown system offers smooth operation, easy movement and secure docking
- Power Clean™ spray technology
- Metal construction with various finishes identified by suffix
- High arc spout provides the perfect height and reach for prep sinks while the pulldown feature provides infinite maneuverability for food preparation tasks
- Single hole mounting
- Pullout spray with 68" braided hose and Duralock™ Quick Connect installation
- Flexible supply lines with 3/8" compression fittings

OPERATION

- Single handle lever
- Temperature controlled by 100° arc of handle travel
- Convenient single-button actuation provides flexibility to switch from stream to spray mode


FLOW

- Flow is limited to 1.5 gpm (5.7 L/min) at 60 psi

CARTRIDGE

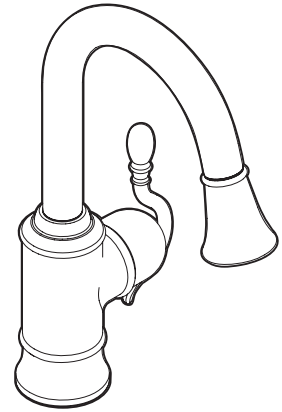
- 1255™ Duralast™ cartridge for Single-Handle Faucets

STANDARDS

- Third party certified to IAPMO Green, ASME A112.18.1/CSA B125.1 and all applicable requirements therein including NSF 61/9 & 372
- Meets CalGreen and Georgia SB370 requirements
- Complies with California Proposition 65 and with the Federal Safe Drinking Water Act
- **ADA**  for lever handle

WARRANTY

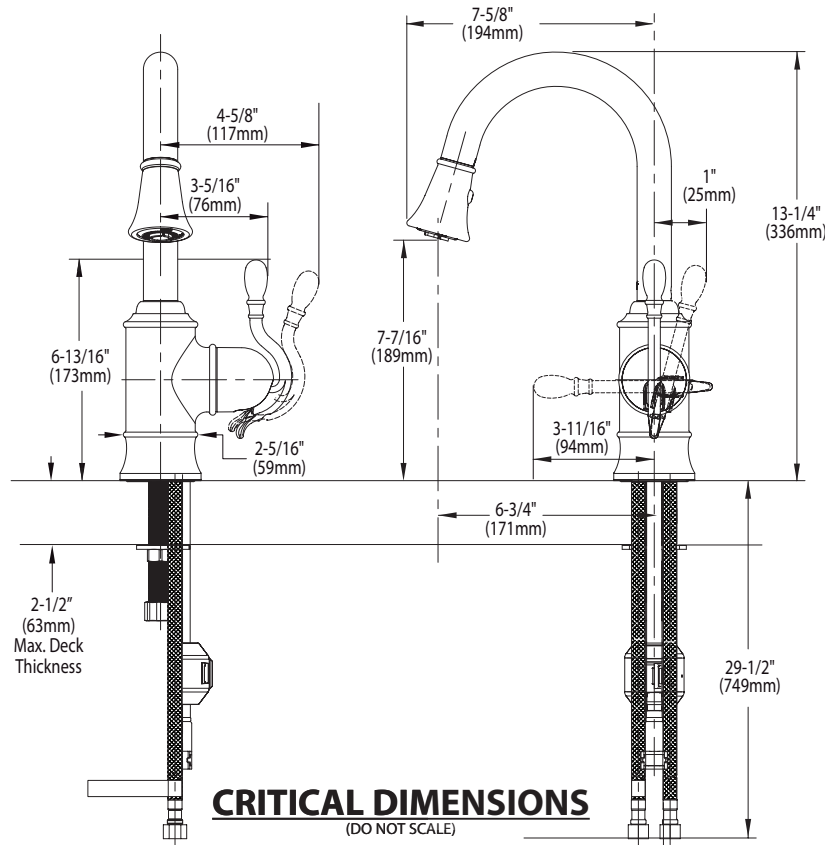
- Lifetime limited warranty against leaks, drips and finish defects to the original homeowner
 - 10 year limited warranty when used in a multifamily installation
 - 5 year limited warranty when used in a commercial installation
- Visit www.moen.com/support for complete details and limitations



WOODMERE®
Single Handle Single Hole Mount
High Arc Pulldown Prep Faucet

Models: 6615 series

NOTE: THIS FAUCET IS DESIGNED TO BE INSTALLED THROUGH 1 HOLE, 1-1/2" (38mm) MIN. DIA.



FOR MORE INFORMATION CALL: 1-800-BUY-MOEN

www.moen.com