

FAUCET DESCRIPTION

- Metal construction with chrome plated and LifeShine® polished brass or copper finishes
- Inlet shanks will accept 3/8" ball nose connections
- Lever style handles

OPERATION

- Hot side counterclockwise to open (clockwise to close)
- Cold side clockwise to open (counterclockwise to close)
- Operates with less than 5 lbs. of force

FLOW

- Aerator is limited to 2.2 gpm (8.3 L/min)

CARTRIDGE

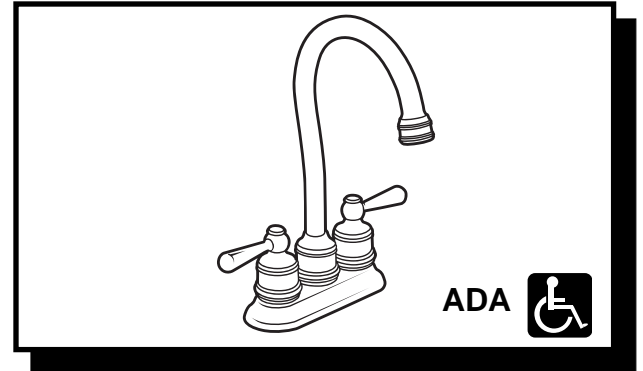
- 1224 cartridge design
- Nonmetallic, non-ferrous and stainless steel material

STANDARDS

- Third party certified by CSA to meet CSA B-125, ASME A112.18.1M and all applicable requirements referenced therein and complies with the applicable requirements of ANSI A117.1
- Certified to ANSI/NSF 61/9
- Complies with California Proposition 65 and with the Federal Safe Water Drinking Act

WARRANTY

- Lifetime limited warranty against leaks, drips and finish defects to the original consumer purchaser
- 5 year warranty if used in commercial installations

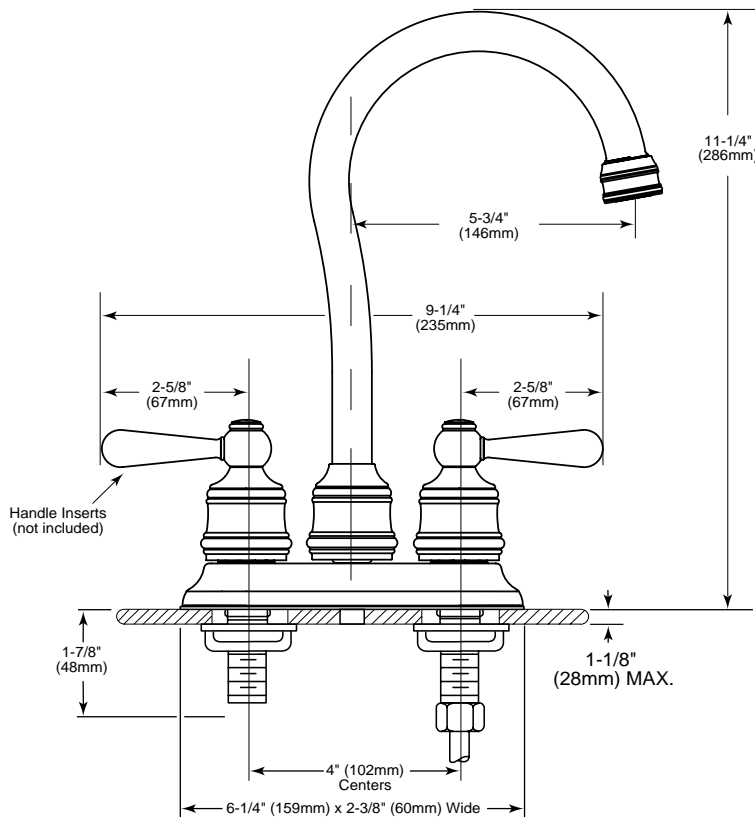


TRADITIONAL® Two Handle Bar Faucet

**Models: 5992, 5992CPR, 5992P
(less handle inserts)
Retail: 85992, 85992CPR**

**NOTE: See reverse side
for illustrated parts**

**NOTE: DESIGNED TO INSTALL
THRU 2 HOLES 1" (25mm) MIN. DIA.
AND 4" (102mm) ON CENTER**



CRITICAL DIMENSIONS

(DO NOT SCALE)