

DESCRIPTION

- Metal construction with a chrome plated, LifeShine® polished brass or antique brass finish
- 1/2" IPS shanks
- Designed to be installed on 8" to 16" centers
- Includes metal pop-up type waste assembly

OPERATION

- Lever style handles with interchangeable inserts.
- Hot side counterclockwise to open (clockwise to close)
- Cold side clockwise to open (counterclockwise to close)

FLOW

- Aerator is limited to 2.2 gpm max (8.3 L/min)

CARTRIDGE

- 1224 cartridge design
- Nonmetallic and stainless steel material

STANDARDS

- Third party certified by CSA to meet CSA B-125, ASME A112.18.1M and all applicable requirements referenced therein and complies with the applicable requirements of ANSI A117.1
- Certified to ANSI/NSF 61/9
- Complies with California Proposition 65 and with the Federal Safe Water Drinking Act

WARRANTY

- Lifetime limited warranty against leaks, drips and finish defects to the original consumer purchaser
- 5 year warranty if used in commercial installations

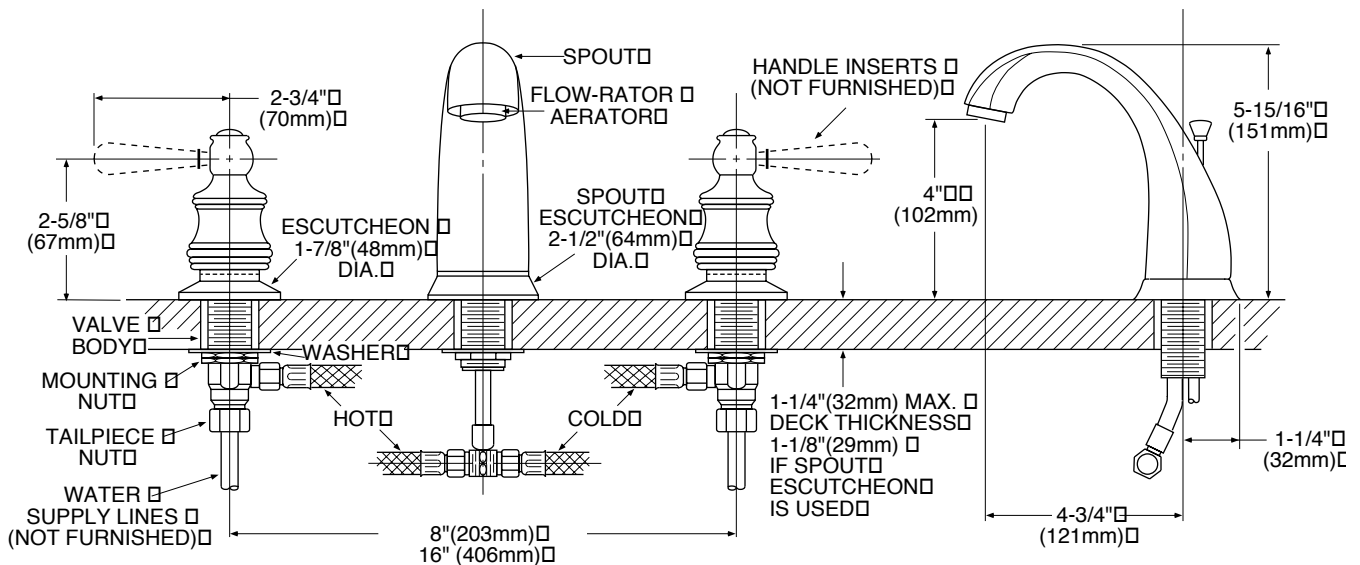


TRADITIONAL® Two-Handle Widespread Lavatory Faucet With Metal Waste Assembly

Models: 5951, 5951A, 5951P

NOTE: See reverse side for illustrated parts and optional handle inserts

NOTE: SPOUT INSTALLS THROUGH 1" MIN. DIA. HOLE. VALVES INSTALL THROUGH 1-1/8" MIN. DIA. HOLE



CRITICAL DIMENSIONS

(DO NOT SCALE)