

## DESCRIPTION

- Metal construction with a chrome plated, LifeShine® polished brass, Platinum, Black Opal™, Classic Gold, or Satine™ finish
- 1/2" IPS connections
- Includes metal pop-up type waste assembly

## OPERATION

- Cross style handles (less handle inserts)
- Maximum handle rotation angle is 90° to full on for either handle
- Includes hot (red) and cold (blue) color indicators

## FLOW

- Aerator is limited to 2.2 gpm (8.3 L/min)

## CARTRIDGE

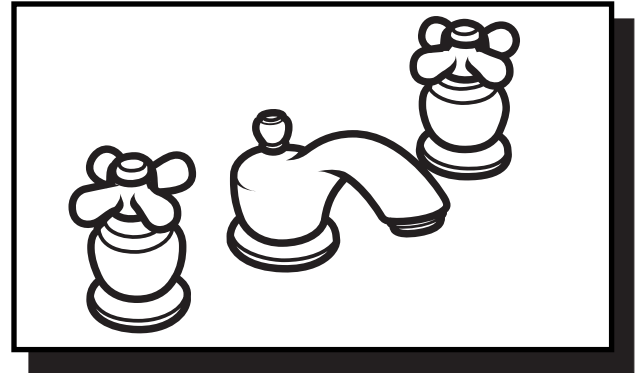
- 1224 cartridge design
- Nonmetallic and stainless steel material

## STANDARDS

- Designed and manufactured to comply with the requirements of: CSA B-125 and ASME A112.18.1M and all applicable requirements referenced therein
- Certified to ANSI/NSF 61/9
- Complies with California Proposition 65 and with the Federal Safe Water Drinking Act

## WARRANTY

- Lifetime limited warranty against leaks, drips and finish defects to the original consumer purchaser
- 5 year warranty if used in commercial installations



**MONTICELLO® INSPIRATIONS™**  
Two-Handle Widespread Lavatory Faucet  
with Metal Assembly

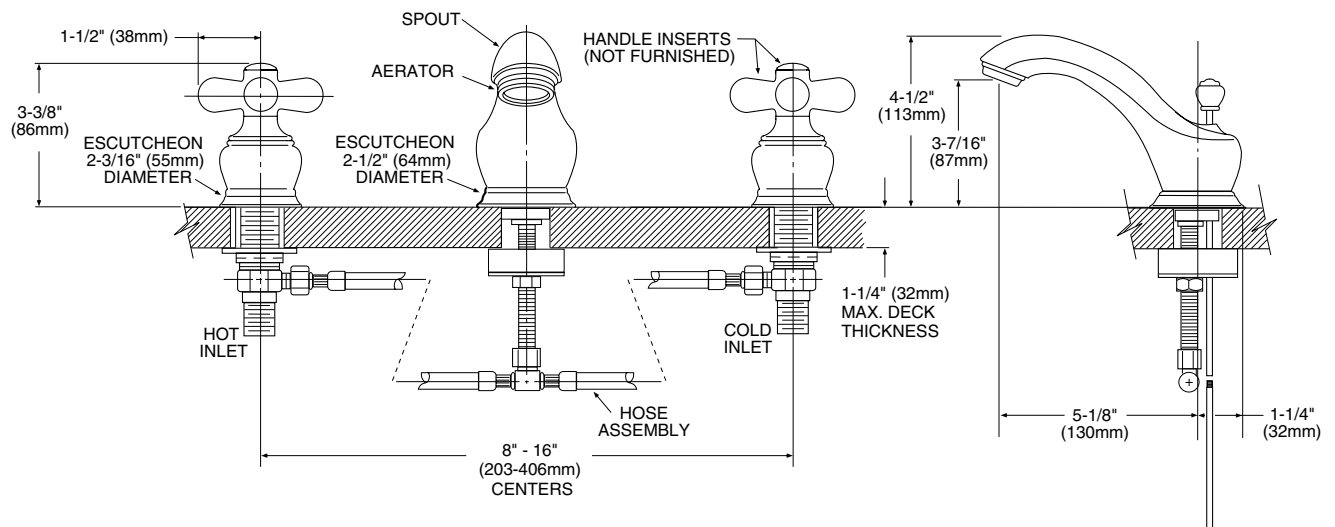
**Models: 4575, 4575CP, 4575P, R4575, R4575P, R4575PM, R4575BP, R4575CG, R4575ST, RT4575, RT4575P, RT4575PM, RT4575BP, RT4575CG, RT4575ST, A4570, A4570P, A4570PM, A4570BP, A4570CG, A4570ST, 84245**

**Valve: 9000, 69000**

**NOTE: See reverse side for illustrated parts and handle options**

**NOTE: For deck thickness 1-3/8" - 3", use service kit # 115001. Valves install through 1-1/4" dia. hole.**

**NOTE: SPOUT INSTALLS THROUGH 1-1/8" MIN. DIA. HOLE. VALVES INSTALL THROUGH 1-1/8" MIN. DIA. HOLE**



## CRITICAL DIMENSIONS

(DO NOT SCALE)