

DESCRIPTION

- Metal construction with a chrome plated, LifeShine® polished brass or glacier finish
- Pressure balancing cycle valve design with an adjustable temperature limit stop
- 1/2" CC connections with 1/4 turn stops
- Includes adjustable showerhead, arm and flange

OPERATION

- Handle operates counterclockwise through a 270° arc with off at 6 o'clock and maximum hot at the 9 o'clock position. Shut off in clockwise direction
- Adjustable temperature limit stop to control maximum hot water temperature
- Pressure balancing mechanism maintains selected discharge temperature to $\pm 2^\circ$

FLOW

- Showerhead is limited to 2.5 gpm (9.5 L/min)

CARTRIDGE

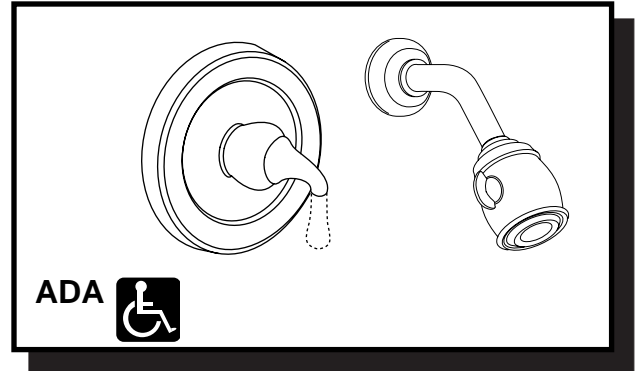
- 1222 cartridge design
- Nonmetallic/nonferrous and stainless steel materials
- Accommodates back to back installations

STANDARDS

- Third party certified by CSA to meet CSA B-125, ASME A112.18.1M and all applicable requirements referenced therein and complies with the applicable requirements of ANSI A117.1

WARRANTY

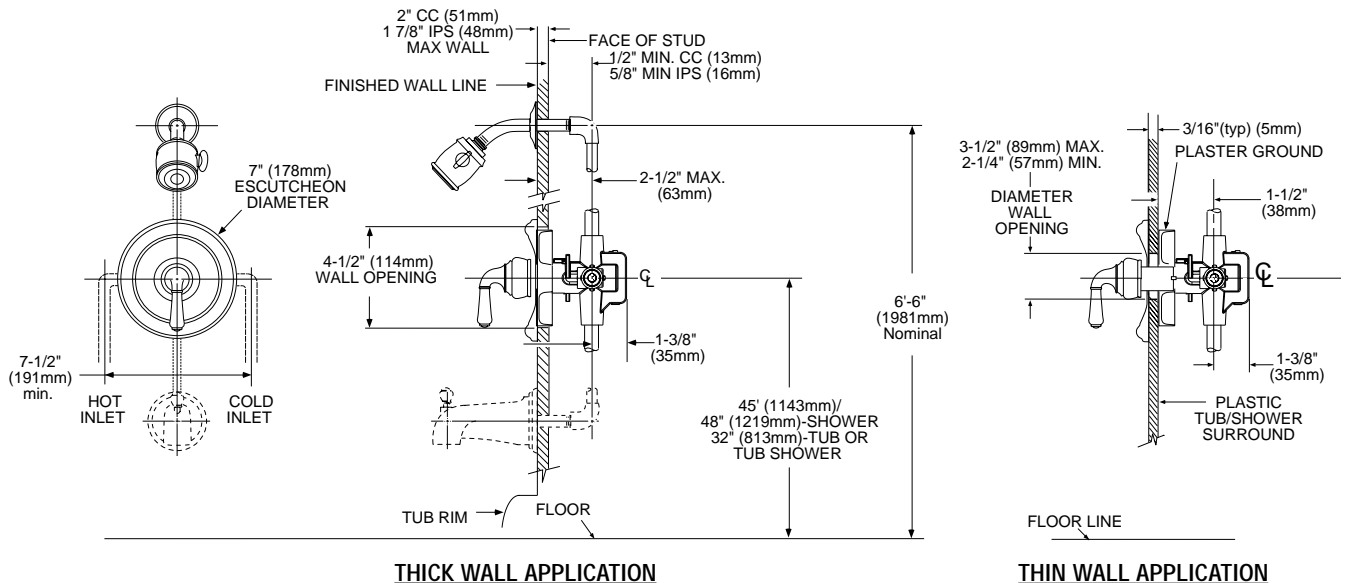
- Lifetime limited warranty against leaks, drips and finish defects to the original consumer purchaser
- 5 year warranty if used in commercial installations



MONTICELLO® POSI-TEMP® Single-Handle Shower Valve

Models: 2395, 2395CP,
2395P, 2395W

NOTE: See reverse side for illustrated parts and optional handle inserts



CRITICAL DIMENSIONS

(DO NOT SCALE)



ADA symbol applies to shower valve control only.