



Buy it for looks. Buy it for life.®

*There is more than 1 version of this model.  
Page down to identify the version you have.*

**DESCRIPTION**

- Chrome plated metal construction
- Pressure balancing cycle valve design with an adjustable temperature limit stop
- 1/2" IPS connections
- Includes showerhead, arm, flange and diverter tub spout

**OPERATION**

- Clear acrylic knob style handle
- Handle operates counterclockwise through a 270° arc with off at 6 o'clock and maximum hot at the 9 o'clock position. Shut off in clockwise direction
- Adjustable temperature limit stop to control maximum hot water temperature
- Pressure balancing mechanism maintains selected discharge temperature to ± 3°

**FLOW**

- Showerhead is limited to 2.5 gpm (9.5 L/min) Max

**CARTRIDGE**

- 1222 cartridge design
- Nonmetallic/nonferrous and stainless steel materials
- Accommodates back to back installations

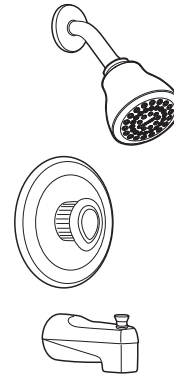
**STANDARDS**

- Third party certified to meet CSA B125.1, ASSE 1016, ASME A112.18.1, and all applicable requirements referenced therein

**WARRANTY**

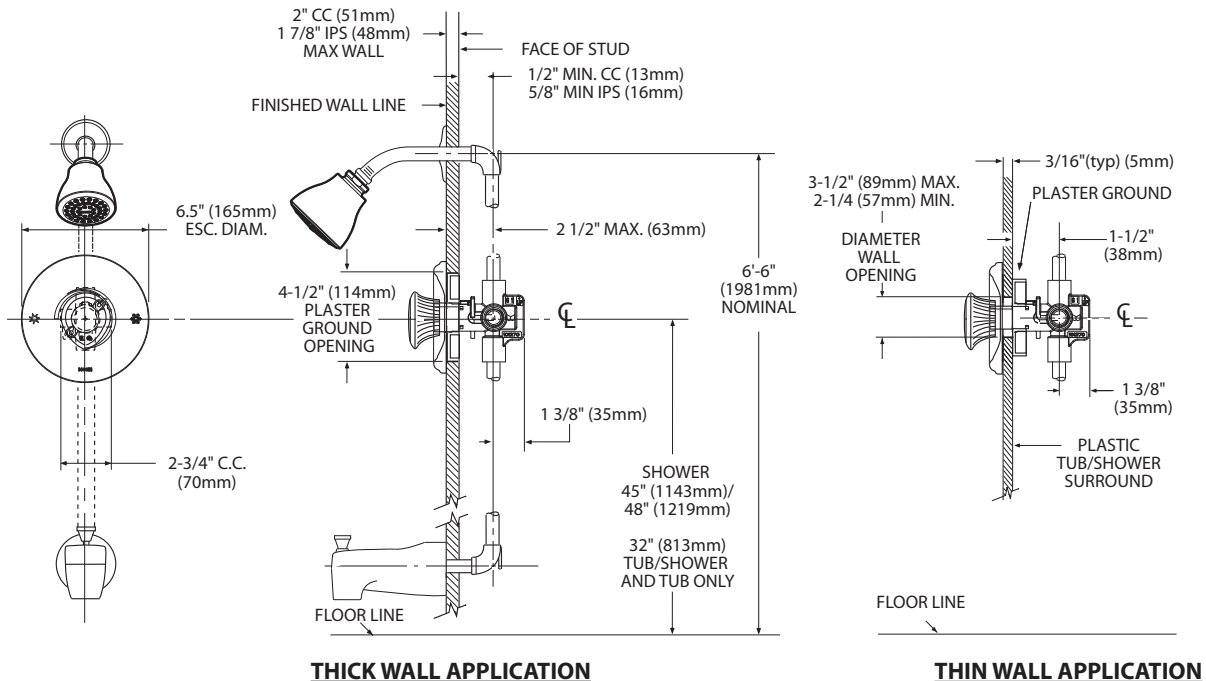
- Lifetime limited warranty against leaks, drips and finish defects to the original consumer purchaser
- 5 year warranty if used in commercial installations

# Specifications



**CHATEAU® POSI-TEMP®  
Single-Handle Tub/Shower Valve**

**Model: 2357**



**CRITICAL DIMENSIONS**

(DO NOT SCALE)



Buy it for looks. Buy it for life.®

# Specifications

## DESCRIPTION

- Chrome plated metal construction
- Pressure balancing cycle valve design with an adjustable temperature limit stop
- 1/2" IPS connections
- Includes showerhead, arm, flange and diverter tub spout

## OPERATION

- Clear acrylic knob style handle
- Handle operates counterclockwise through a 270° arc with off at 6 o'clock and maximum hot at the 9 o'clock position. Shut off in clockwise direction
- Adjustable temperature limit stop to control maximum hot water temperature
- Pressure balancing mechanism maintains selected discharge temperature to  $\pm 3^\circ$

## FLOW

- Showerhead is limited to 2.5 gpm (9.5 L/min) Max

## CARTRIDGE

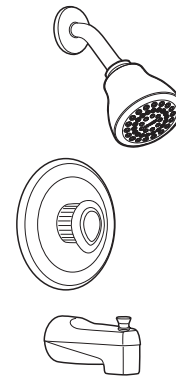
- 1222 cartridge design
- Nonmetallic/nonferrous and stainless steel materials
- Accommodates back to back installations

## STANDARDS

- Third party certified to meet CSA B125.1, ASSE 1016, ASME A112.18.1, and all applicable requirements referenced therein

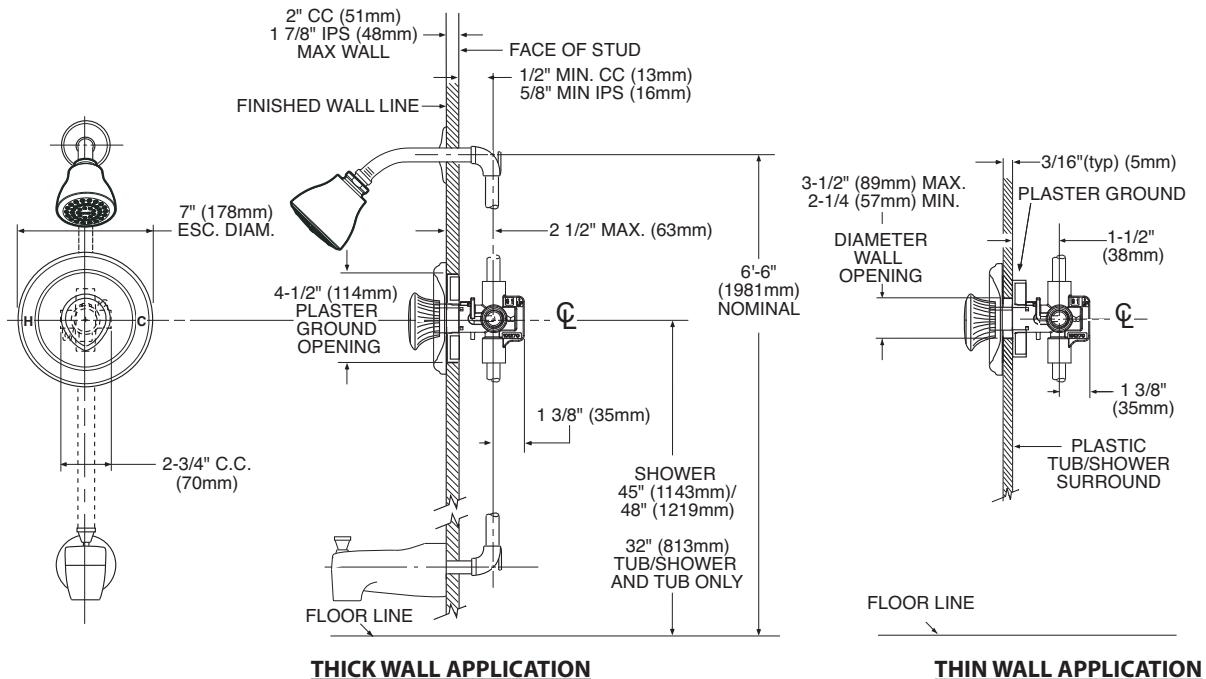
## WARRANTY

- Lifetime limited warranty against leaks, drips and finish defects to the original consumer purchaser
- 5 year warranty if used in commercial installations



## CHATEAU® POSI-TEMP® Single-Handle Tub/Shower Valve

Model: 2357



## CRITICAL DIMENSIONS

(DO NOT SCALE)