




■ Order by Part Number


Stopper - Polished Stainless
1011 


Removable Splash Guard
1016 


Sink Flange - Polished Stainless
1017 


Mounting Assembly Kit - 1824


Fiber Gasket 


Backup Flange 

Screws (x3) 


Mounting Ring 


Snap Ring 

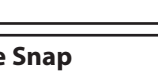
Cushion Mount 

Lower Mounting Ring 


Drain Elbow Kit - 1026


Rubber Gasket 

Screws 

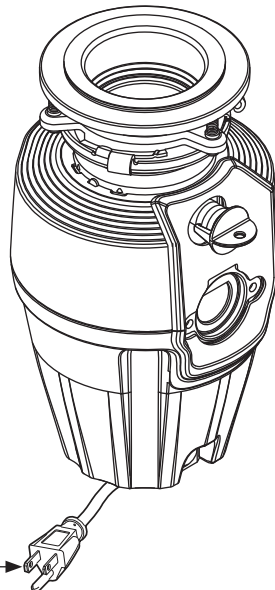
Drain Elbow 

Single Snap Assembly Kit - 193800

Simple Snap Tool 

Snap Ring 

Replacement Power Cord Kit
1024



Illustrated Parts


Garbage Disposals

MODELS EX50c
EX75c

Other Available Accessories


Air Switch Remote Controller

- Installs into existing sink hole to operate disposer with plunger air switch.
- Perfect application for island countertops or where electrical switch is unavailable.
- No wiring connections or code restrictions.



Air Switch Base Unit	
Air Switch Remote Controller	ARC-4200
Additional Air Switch Button Finish Options:	
Chrome	AS-4201-CH
Satin Nickel	AS-4201-SN
Mediterranean Bronze	AS-4201-BRB
Polished Brass	AS-4201-BR
White	AS-4201-WH
Almond	AS-4201-AL
Biscuit	AS-4201-BIS
Matte Black	AS-4201-BL
Brushed Gold	AS-4201-BG
Polished Nickel	AS-4201-NL

Optional:

Dishwasher Connector Kit
1023 

Unjamming Wrench
1037 