

■ Order by Part Name and Part Number (Bold Face Type)

- Plug Button
13731 Chrome
- 116P** Polished Brass
- 116W** Glacier
- Round Insert
H200 Chrome
- H200P** Antique Brass
- H200W** Polished Brass
- Handle Screw
14289

- Handle Skirt (2)
416 Chrome
- 416P** Polished Brass

- Handle Adapter
97256

- Cartridge Nut
13401
- Lift Rod Kit
12694 Chrome
- 99511** Pol. Brass
- 94680** Glacier

- Handle Adapter Kit
90274

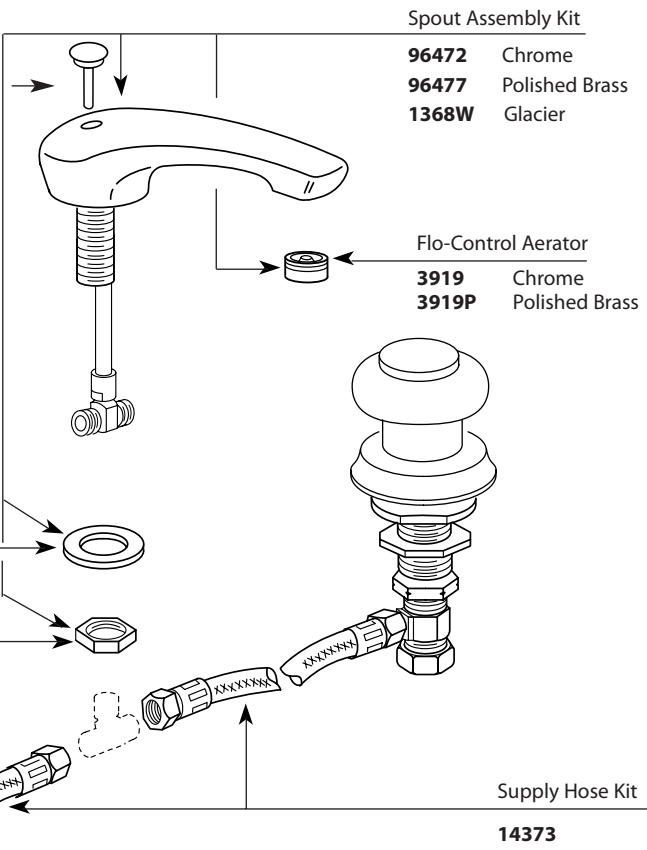
- Replacement Cartridge
1224

- Escutcheon
148 Chrome
- 148W** Glacier

- Valve Body (includes cartridge & cartridge nut)
1371 Hot
- 1373** Cold

- Hardware Package
11926

CONCENTRIX® Two-Handle Widespread Lavatory Faucet		
MODEL	HANDLE TYPE	FINISH
DISCONTINUED SKUS		
5971	Concentrix	Chrome
5971W	Concentrix	Glacier/Chrome
5971P	Concentrix	Polished Brass
5973	Concentrix	Chrome/Pol. Brass
5973W	Concentrix	Glacier/Pol. Brass



OPTIONAL HANDLE INSERT KITS

ROUND	SQUARE	GROOVED	DIAMOND CUT	ROPE
H200 CHROME H200W GLACIER H200P POLISHED BRASS	H201 CHROME H201W GLACIER H201P POLISHED BRASS	H202 CHROME H202W GLACIER H202P POLISHED BRASS	H204 CHROME H204P POLISHED BRASS	H205 CHROME H205W GLACIER H205P POLISHED BRASS