

## FAUCET DESCRIPTION

- Chrome plated metal construction
- Pressure balancing cycle valve design with 1/4 turn stops
- 1/2" CC connections
- Shower arm has 1/2" IPS male thread
- Vandal resistant screws

## OPERATION

- Temperature valve has ADA compliant lever style handle
- Handle operates counterclockwise through a 270° arc with off at 6 o'clock, and maximum hot at the 9 o'clock position. Shut off in clockwise direction
- Adjustable temperature limit stop
- Pressure balancing mechanism maintains selected discharge temperature to  $\pm 2^\circ$

## FLOW

- Vandal resistant shower head 2.5 gpm (9.6 L/min) maximum at 80 psi

## CARTRIDGE

- 1222 cartridge design
- Nonmetallic/nonferrous and stainless steel materials
- Accommodates back-to-back installations

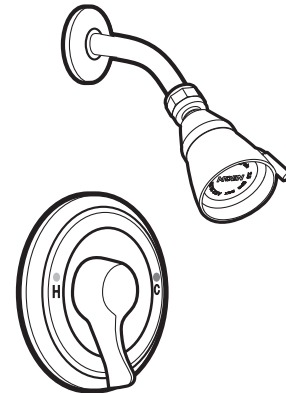
## STANDARDS

- Third party certified to ASME A112.18.1/CSA B125.1 and all applicable requirements referenced therein including ASSE 1016

- **ADA**  for lever handle

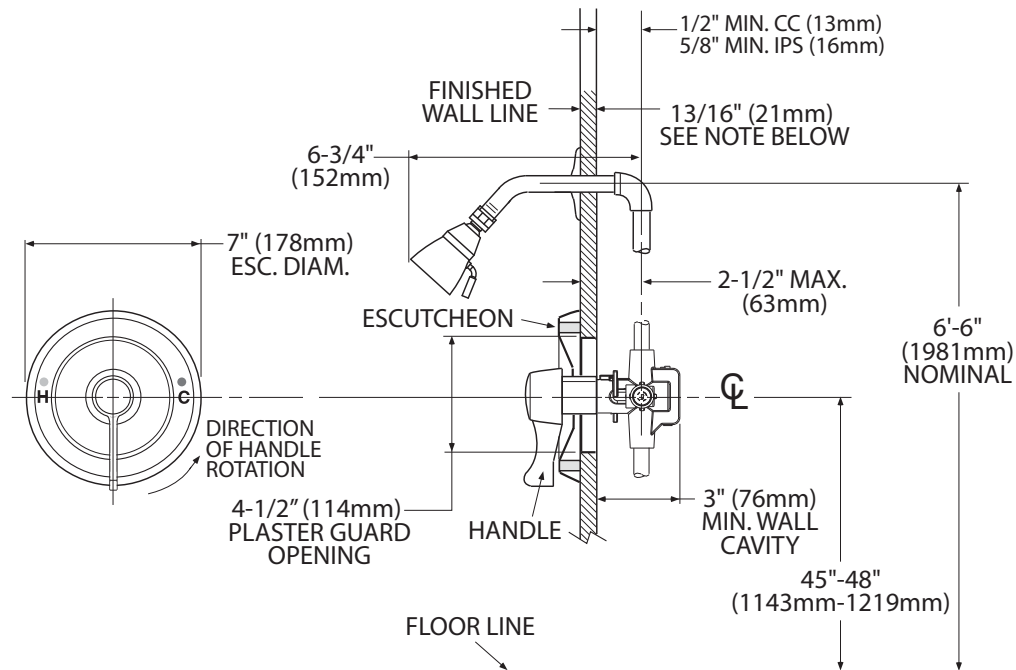
## WARRANTY

- Warranted for 5 years against material or manufacturing defects



## Single-Handle Pressure Balancing Shower Valve only with Integral Stops and HAF

**Model: 8375**



## CRITICAL DIMENSIONS

(DO NOT SCALE)