

**DESCRIPTION**

- Handheld shower (metallic), available in various finishes identified by suffix
- 69" double interlock spiral hose (metal)
- Vacuum breaker
- Adjustable wall bracket

**OPERATION**

- Single function
- Wall bracket rotates to adjust angle of handshower

**FLOW**

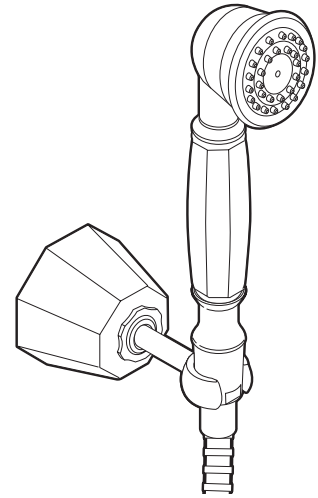
- Designed to deliver 2.5 gpm max (9.5 L/min) at 80 psi

**STANDARDS**

- Designed and manufactured to comply with the applicable requirements of CSA B-125.1, ASME A112.18.1 and ASSE 1014 and all applicable specifications referenced therein.

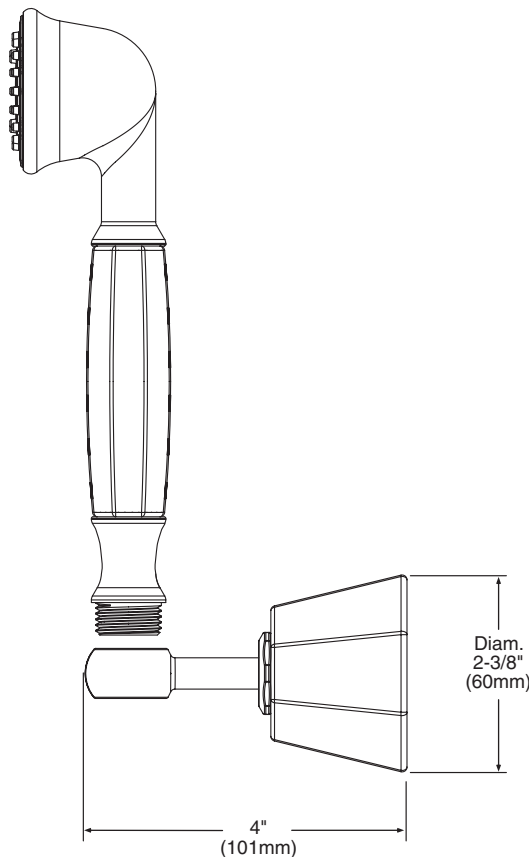
**WARRANTY**

- Lifetime limited warranty against material or manufacturing defects



**Hand Shower with Bracket & Hose**

**Models:** S145 series



**CRITICAL DIMENSIONS**  
(DO NOT SCALE)