



Buy it for looks. Buy it for life.®

**FAUCET DESCRIPTION**

- Metal construction with chrome plated finish
- Inlet shanks will accept 3/8" ball nose connections
- Includes side spray
- Carbon block filter technology
- Electronic filter life indicator

**OPERATION**

- Lever style handle
- Pull-on/Push-off
- Operates with less than 5 lbs. of force

**FLOW**

- Tap water: 2.2 gpm max (8.3 L/min); Filtered water: 1.0 gpm (3.8L/min)

**CARTRIDGE**

- 40002 ceramic disc cartridge design
- Nonmetallic/nonferrous and stainless steel material

**STANDARDS**

Faucet:

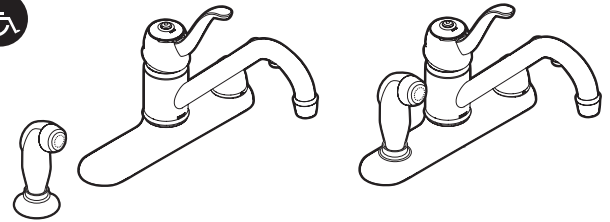
- Third party certified to CSA B125, ASME A112.18.1M, ANSI A117.1 and all applicable requirements referenced therein
- Certified to ANSI/NSF 61/9
- Complies with California Proposition 65 and with the Federal Safe Water Drinking Act (APMO PS49, NSF 42 & 53, Section 9)

Filter:

- ChoiceFlo™ 9500
- Complies with NSF/ANSI Standard 42 for the reduction of chlorine, taste and odor, and against NSF/ANSI Standard 53 for the reduction of lead, cysts, lindane, atrazine, mercury, turbidity, toxaphene, and particulate, class1

# Specifications

ADA



**Muirfield™ with ChoiceFlo™ Filtration  
Single Handle Lever Filtering Kitchen Faucet  
with Protégé® Side Spray**

**Models: F87420, F87424**

**NOTE: DESIGNED TO INSTALL THROUGH 3 1-1/4" (32mm) MIN. DIA. AND 4" ON CENTER**

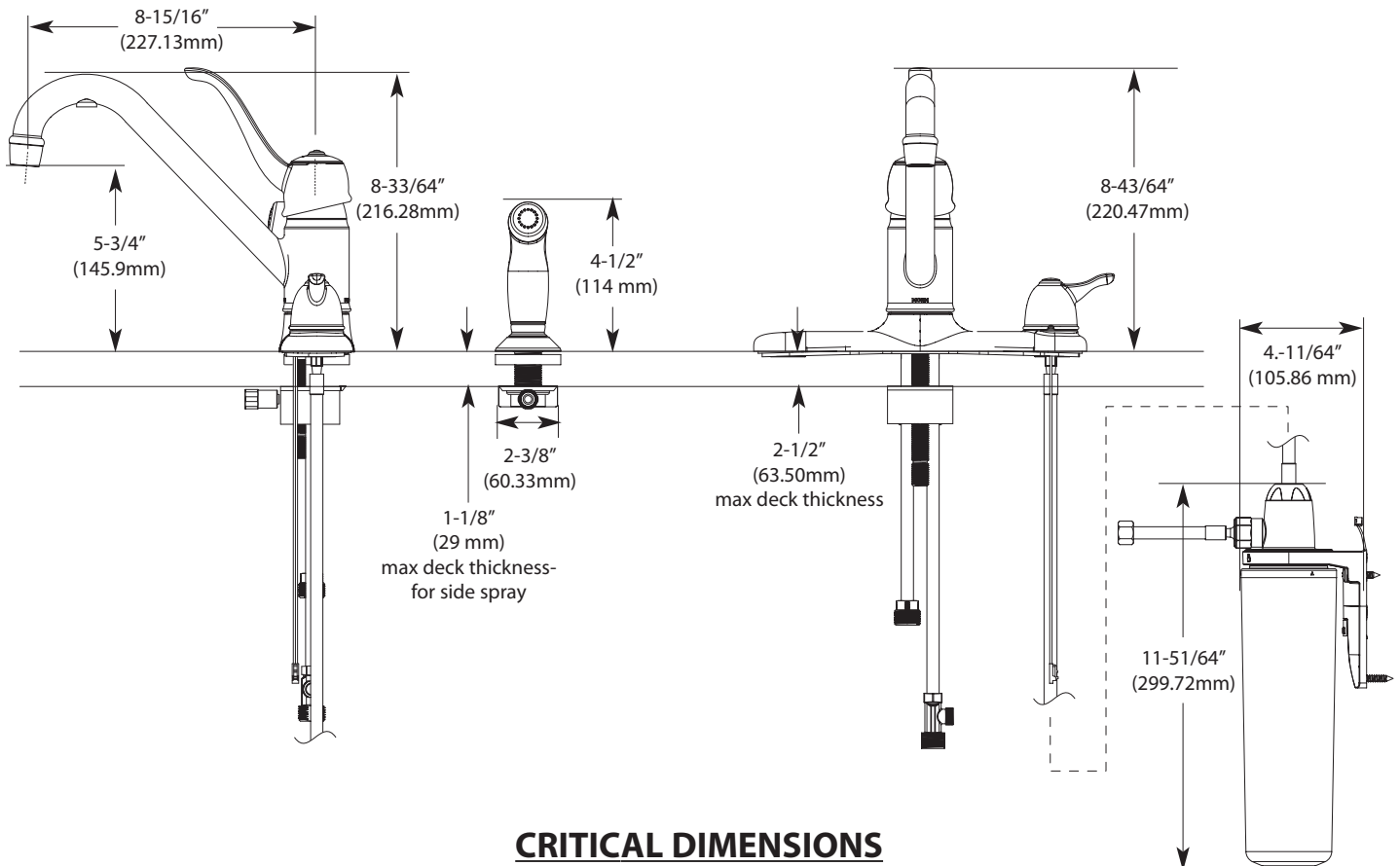
**WARRANTY**

Faucet/Under Sink Filtration System:

- Lifetime limited warranty against leaks, drips and finish defects to the original consumer purchaser
- 5 year limited warranty if used in commercial installations

Filter:

- 30 day limited warranty on manufacturer's defects to the original consumer purchaser



**CRITICAL DIMENSIONS**

(DO NOT SCALE)

**FOR MORE INFORMATION CALL: 1-800-BUY-MOEN**

**www.moen.com**