



Buy it for looks. Buy it for life.®

Specifications

There is more than 1 version of this model.
Page down to identify the version you have.

FAUCET DESCRIPTION

- Metal construction with various finishes identified by suffix
- Hydrolock® quick connect installation
- Flush button with raised stream and spray indicators
- Pullout spray with 59" fiber hose
- Flexible supplies with 3/8" compression fittings

OPERATION

- Lever style handle
- Temperature controlled by 100° arc of handle travel
- Spout receptor rotation is 145°
- Operates with less than 5 lbs. of force
- Operates in stream or spray mode in the pullout or retracted position

FLOW

- Flow is limited to 2.2 gpm (8.3 L/min) at 60 psi

CARTRIDGE

- 1255™ Duralast™ cartridge

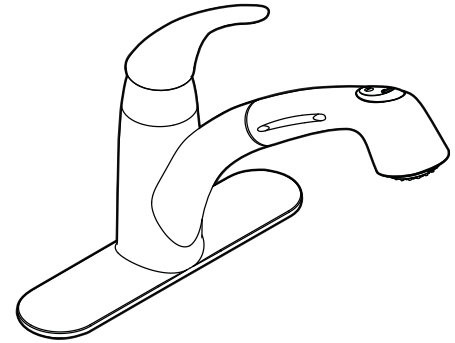
STANDARDS

- Third party certified to ASME A112.18.1/CSA B-125.1 and all applicable requirements referenced therein including NSF 61/9
- Complies with California Proposition 65 and with the Federal Safe Water Drinking Act
- The backflow protection system in the device consists of two independently operating check valves, a primary and a secondary which prevent backflow

- ADA  for lever handle

WARRANTY

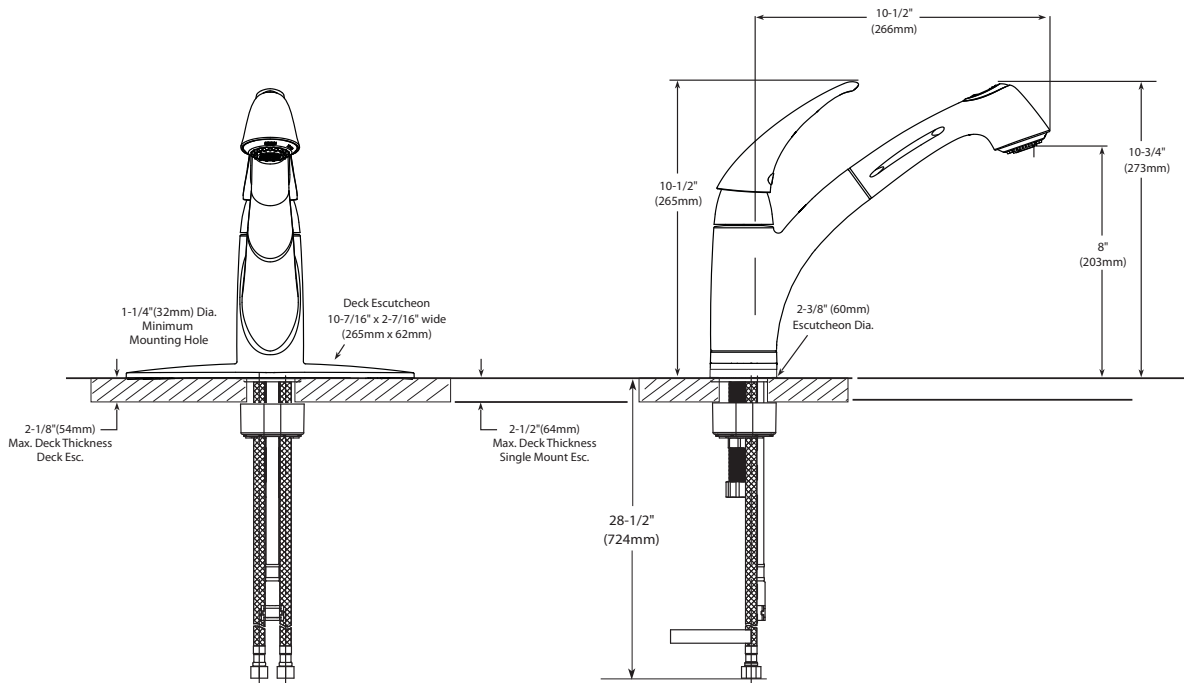
- Lifetime limited warranty against leaks, drips and finish defects to the original consumer purchaser
- 5 year warranty if used in commercial installations



Extensa® Single Control Kitchen Faucet w/Pullout Spray

Models: 7560 series

NOTE: DESIGNED TO INSTALL
THRU 1 OR 3 HOLES 1-1/4" (32mm) MIN. DIA.



CRITICAL DIMENSIONS

(DO NOT SCALE)



Buy it for looks. Buy it for life.®

Specifications

FAUCET DESCRIPTION

- Metal construction with various finishes identified by suffix
- Hydrolock® quick connect installation
- Flush button with raised stream and spray indicators
- Pullout spray with 59" fiber hose
- 1/2" IPS connections will accept standard ball nose connection for 3/8" tubing
- Chromeliquid dispenser included with 87560CSD

OPERATION

- Lever style handle
- Temperature controlled by 180° arc of handle travel
- Spout receptor rotation is 145°
- Operates with less than 5 lbs. of force
- Operates in stream or spray mode in the pullout or retracted position

FLOW

- Flow is limited to 2.2 gpm (8.3 L/min) at 60 psi

CARTRIDGE

- 1225 cartridge design
- Engineered polymers, non-ferrous and stainless steel materials

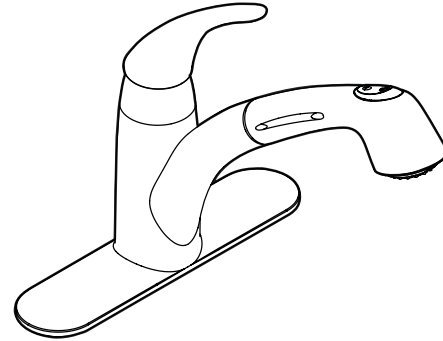
STANDARDS

- Designed and manufactured to comply with the requirements of: CSA B-125.1, ASME A112.18.1, IAPMO PS 49-92, NSF 61 Section 9, California Proposition 65, ICC A117.1
- The backflow protection system in this device consists of two independently operating check valves, a primary and a secondary which prevent backflow

- ADA  for lever handle

WARRANTY

- Lifetime limited warranty against leaks, drips and finish defects to the original consumer purchaser
- 5 year warranty if used in commercial installations

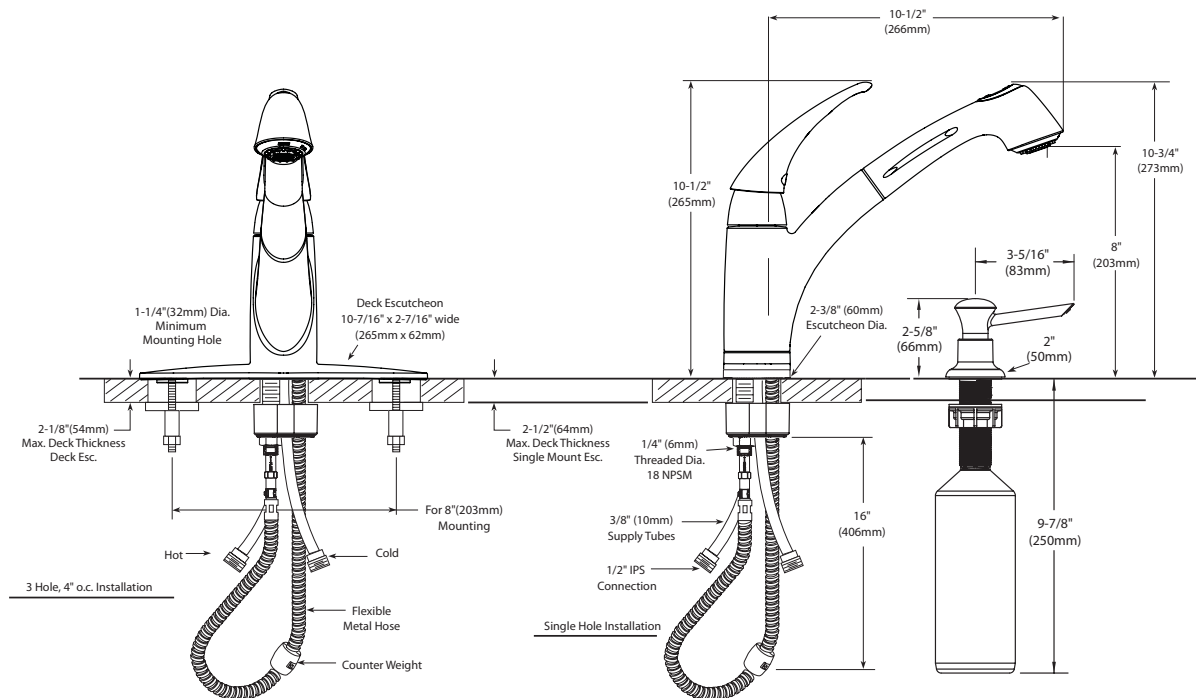


Extensa™ Single Control Kitchen Faucet w/Pullout Spray

Models: 7560 series
87560 series

DISCONTINUED MODELS: 7560, 7560CS,
7560CBL, 87560C, 87560S, 87560SLBL, 87560CS,
87560CBL, 87560

NOTE: DESIGNED TO INSTALL
THRU 1 OR 3 HOLES 1-1/4" (32mm) MIN. DIA.



CRITICAL DIMENSIONS

(DO NOT SCALE)