



Buy it for looks. Buy it for life.®

Specifications

FAUCET DESCRIPTION

- Metal construction with various finishes identified by suffix
- Hydrolock® quick connect system
- Inlet shanks will accept 3/8" ball nose connections
- Pullout spray with 68" braided hose
- Lever style handle

OPERATION

- Operates with less than 5 lbs. of force


FLOW

- Aerator is limited to 2.2 gpm max. (8.3 L/min)

CARTRIDGE

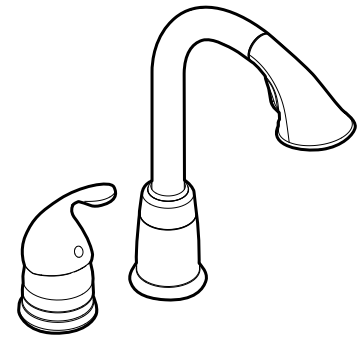
- 1225 cartridge design
- Nonmetallic, non-ferrous and stainless steel material

STANDARDS

- Third party certified to CSA B-125.1, ASME A112.18.1 and all applicable requirements referenced therein including NSF61/9
- Complies with California Proposition 65 and with the Federal Safe Water Drinking Act
- ADA  for lever handle

WARRANTY

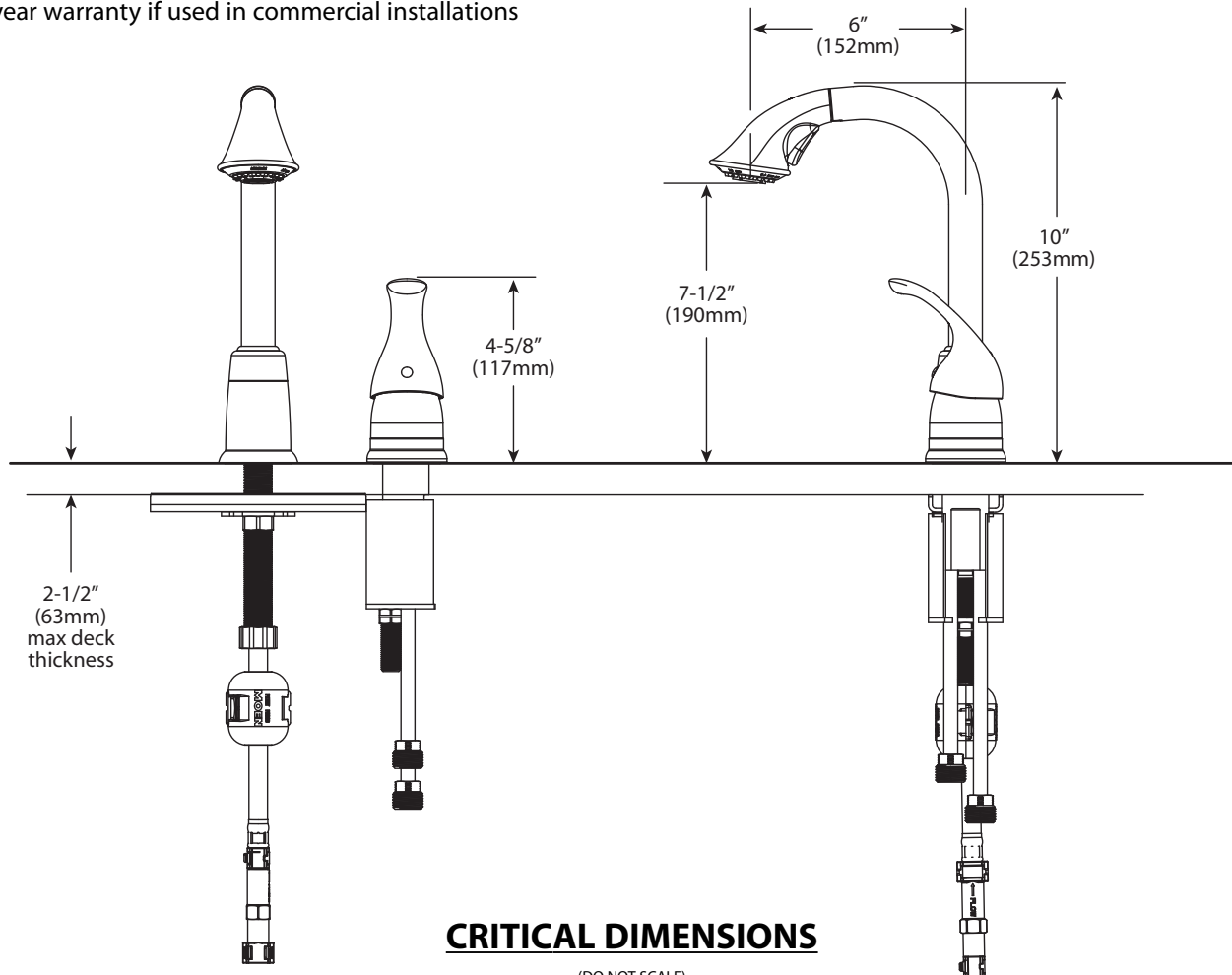
- Lifetime limited warranty against leaks, drips and finish defects to the original consumer purchaser
- 5 year warranty if used in commercial installations



Camerist™
Single Handle Pull-Down Bar Faucet

Models: 5955

NOTE: DESIGNED TO INSTALL
THRU 2 HOLES 1-1/4" (25mm) MIN. DIA.
and 4" (102mm) on center



CRITICAL DIMENSIONS

(DO NOT SCALE)