

DESCRIPTION

- Metal construction with a chrome plated, decorative glacier, LifeShine® polished brass, Satine, Classic Gold, Black Opal or Platinum finishes
- 1/2" IPS connections
- Includes hot (red) and cold (blue) color indicators
- Includes metal pop-up type waste assembly on 4000 series models
- Includes 50/50 pop-up type waste assembly on 80000 series models

OPERATION

- Lever style handles
- Maximum handle rotation angle is 90° to full on for either handle

FLOW

- Aerator is limited to 2.2 gpm max (8.3 L/min)

CARTRIDGE

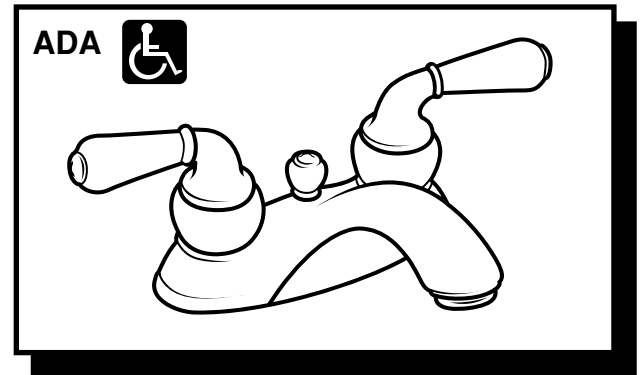
- 1224 cartridge design
- Nonmetallic and stainless steel material

STANDARDS

- Third party certified by CSA and IAPMO to meet ASME A112.18.1M and all applicable requirements referenced therein and complies with the applicable requirements of ANSI A117.1
- Certified to ANSI/NSF 61/9
- Complies with California Proposition 65 and with the Federal Safe Water Drinking Act

WARRANTY

- Lifetime limited warranty against leaks, drips and finish defects to the original consumer purchaser
- 5 year warranty if used in commercial installations



MONTICELLO®

4" Lavatory Faucet

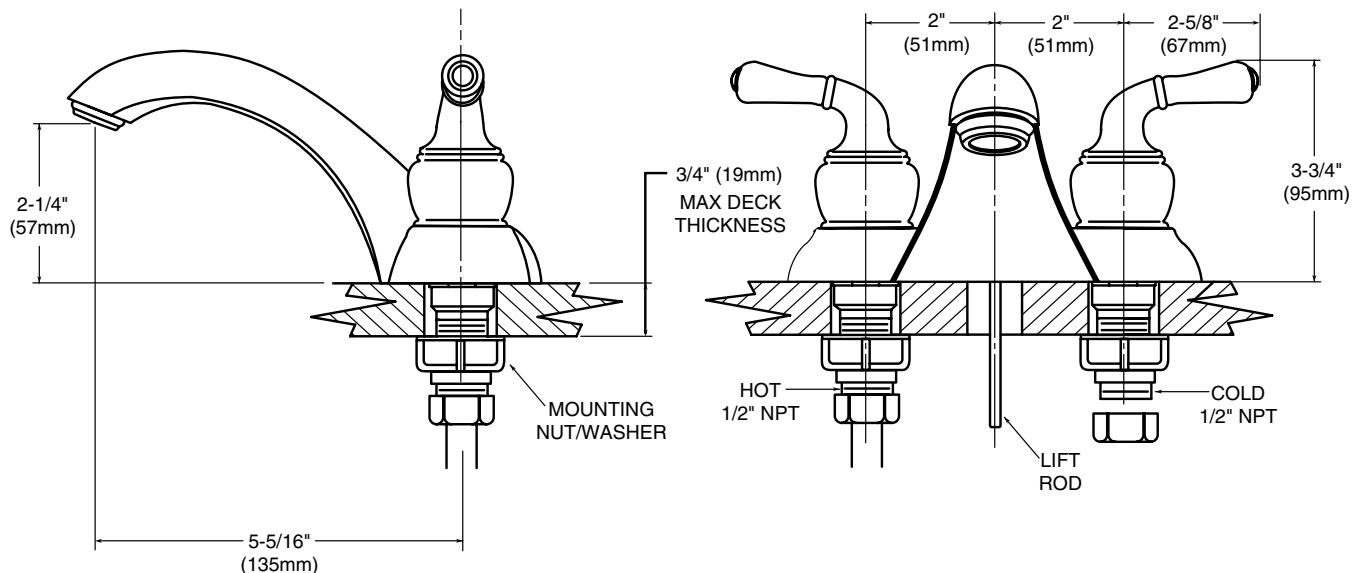
(Less Handle Inserts on 4000 series models)
(Handle Inserts included on 80000 series models)

Models: 4550, 4550CP, 4550P, 4550W, R4550, R4550P, R4550PM, R4550ST, A4550, A4550P, A4550PM, A4550ST, A4550CG, A4550BP

Retail: 84200, 84200PM, 84204, 84206, 84210, 84210PM, 84210ST, 84212ST, 84214

NOTE: See reverse side for illustrated parts and handle options

NOTE: THIS FAUCET IS DESIGNED TO BE INSTALLED THRU 3 HOLES, 1" MIN. DIA.



CRITICAL DIMENSIONS

(DO NOT SCALE)