



Buy it for looks. Buy it for life.®

# Specifications

## DESCRIPTION

- Brass construction
- 3/4" IPS connections
- Thermostatic valve design with integral checkstops

## OPERATION

- Temperature lever operates through a 340 degree arc with maximum cold at full clockwise rotation and maximum hot at full counterclockwise rotation
- Safety stop preset temperature at 105 degrees F ( 41degrees C)
- Safety stop override allows maximum temperature at 120 degrees F (49 degrees C)
- Factory established temperature range from 70 degrees F (21 degrees C) to 120 degrees F (49 degrees C)
- Must be used with at least one 3600 valve.

## CARTRIDGE

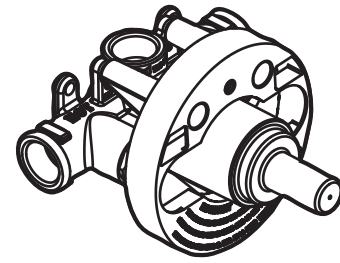
- Thermostatic cartridge design with non metallic/nonferrous materials

## STANDARDS

- Third party certified to meet CSA B-125.1, ASME A112.18.1 and all applicable requirements referenced therein including ASSE1016

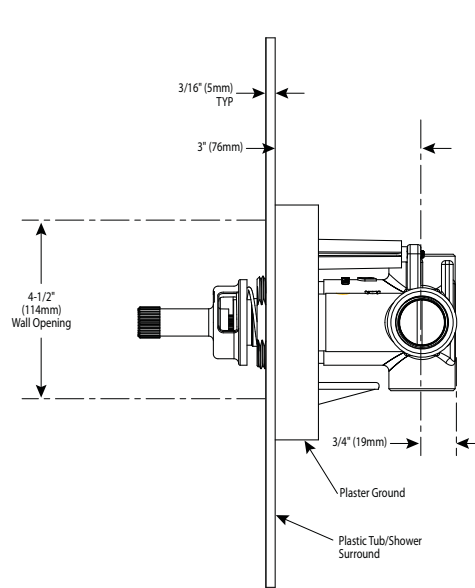
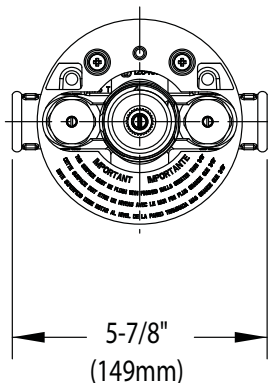
## WARRANTY

- Lifetime limited warranty against leaks, drips and finish defects to the original consumer purchaser
- 5 year warranty if used in commercial installations

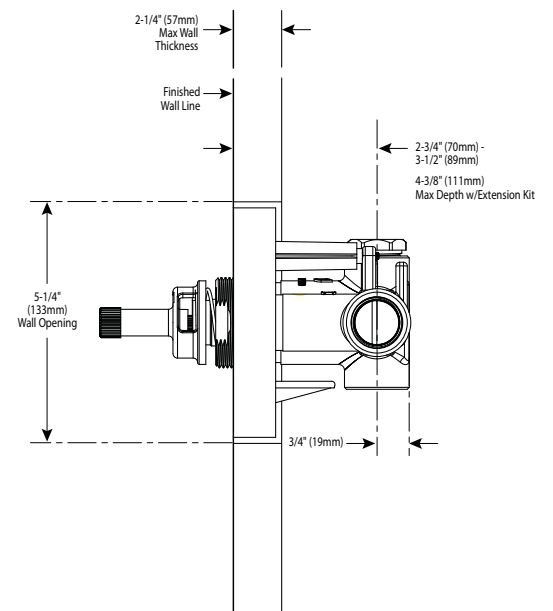


## ExactTemp® 3/4" Thermostatic Valve

Model: 3371



Thin Wall



Thick Wall

## CRITICAL DIMENSIONS

(DO NOT SCALE)