

Casa™ Technical Specification

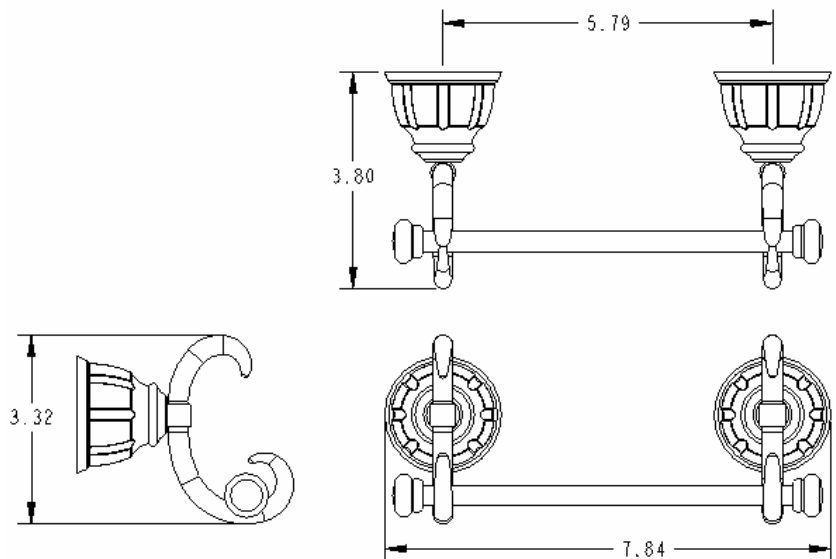
Paper Holder

YB9008

Stock Numbers:

- q **YB9008WR – Paper Holder**
Wrought Iron Finish

Dimensions:



Materials:

Paper Holder is constructed of zinc.

Installation Instructions:

1. Position the mounting template on the wall in the desired location. Using a level, align the template and tape it to the wall.
2. Remove each mounting post from the body by loosening the setscrew.
3. Place each mounting post on the template with notch facing down.
4. One at a time, place each anchor screw through the mounting post, centered in the hole. Only insert screw 1/2 to 3/4 into wall.
5. Using a Phillips screwdriver, turn the anchor screw while applying pressure. Screw will self drill and tap into drywall.
6. After all screws are installed, tear the template away from the wall.
7. Tighten all 4 screws. Do not over-tighten.
8. Place skirt over each mounting post.
9. Place each post over the mounting plate (setscrew down). Pivoting post with bar to be on left side. Tighten both setscrews.

Cleaning Instructions:

To preserve the fine finish of this product, clean only with a soft damp cloth. Dry well. Do not use commercial or abrasive cleaners.

Stock Number: _____ **Paper Holder**
By Creative Specialties



25300 AL MOEN DRIVE • NORTH OLMS TED, OH 44070
CORPORATE HEADQUARTERS: (800) 321-8809 • FAX: (800) 848-6636
INTERNATIONAL: (440) 962-2000 • FAX: (440) 962-2726
CUSTOMER SERVICE (USA): 800-882-0116 • FAX: (888) 379-2720

©Copyright Creative Specialties International 2004

Literature #BA1202