



Buy it for looks. Buy it for life.®

Specifications

DESCRIPTION

- Metal construction with various finishes identified by suffix
- Designed to be installed through 2, 1-1/4" min. dia. and 1, 1" min. dia holes, 8" on center
- Adjustable for non-8" centers
- Optional hot and cold temperature indicators available

OPERATION

- Lever handles
- Maximum handle rotation angle is 90° to full on for either handle
- Rotate hot side handle counterclockwise to open and clockwise to close
- Rotate cold side handle clockwise to open and counterclockwise to close

FLOW

- Aerator is limited to 1.5 gpm max. (4.0 L/min)

CARTRIDGE

- 1224 cartridge design with nonmetallic/nonferrous and stainless steel materials

STANDARDS

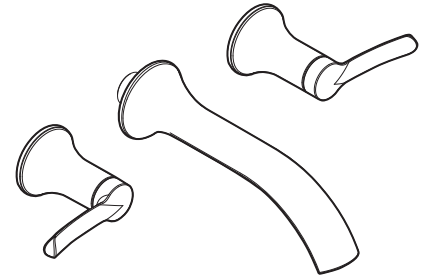
- Third party certified to ASME A112.18.1/CSA B125.1, and all applicable requirements referenced therein
- Certified to NSF 61/9 & 372
- Complies with California Proposition 65 and with the Federal Safe Drinking Water Act

- **ADA**  for lever handle

- Third party certified to meet EPA criteria for water efficiency and performance

WARRANTY

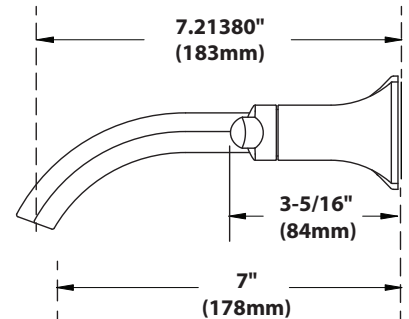
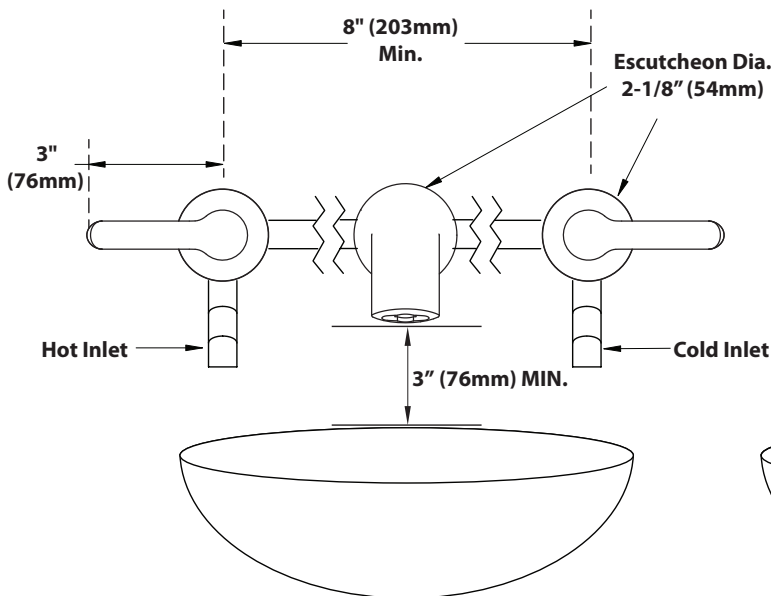
- Lifetime limited warranty against leaks, drips and finish defects to the original consumer purchaser
- 5 year warranty if used in commercial installations



FINA™ Two-Handle Wall Mount Faucet Trim

Model: TS41706 Series

Valve: 9700



MAX WALL THICKNESS
1-3/4" (45mm)



CRITICAL DIMENSIONS

(DO NOT SCALE)

FOR MORE INFORMATION CALL: 1-800-BUY-MOEN

www.moen.com