



Buy it for looks. Buy it for life.®

Specifications

DESCRIPTION

- Metal construction with various finishes identified by suffix
- Includes 7" Rainshower showerhead, arm and flange

OPERATION

- Flow lever operates counterclockwise through a 90° arc with off at 6 o'clock and maximum flow at the 3 o'clock position. Shut off in clockwise direction
- Temperature lever operates through a 340° arc with maximum cold at full clockwise rotation and maximum hot at full counterclockwise rotation
- Safety stop preset temperature at 105°F (41° C)
- Safety stop override allows maximum temperature at 120°F (49°C)
- Factory established temperature range from 70°F (21°C) to 120°F (49°C)


FLOW

- Showerhead is limited to 2.5 gpm (9.5 L/min)

CARTRIDGE

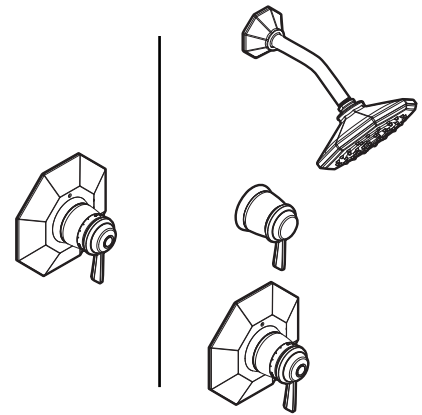
- 130156 thermostatic cartridge design with non metallic/nonferrous materials
- 130157 volume ceramic disc cartridge design

STANDARDS

- Third party certified to meet CSA B125.1, ASME A112.18.1, and all applicable requirements referenced therein including ASSE1016
- **ADA**  for lever handle

WARRANTY

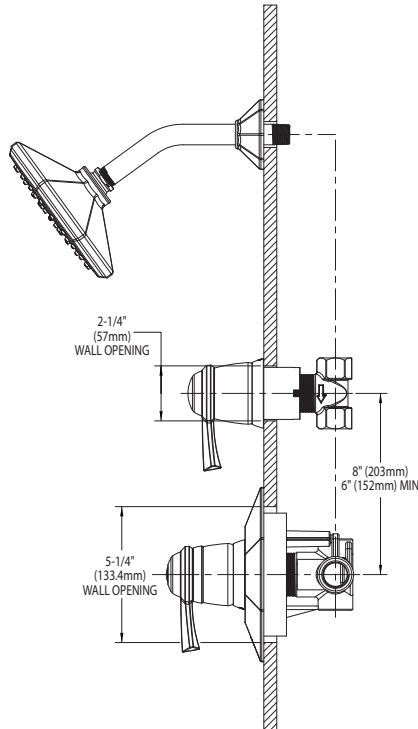
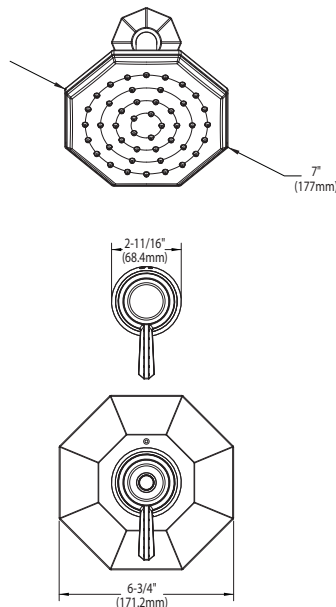
- Lifetime limited warranty against leaks, drips and finish defects to the original consumer purchaser
- 5 year warranty if used in commercial installation



FELICITY™ ExactTemp® 3/4" Thermostatic Tub/ Shower Trim

Models: TS3410 series-valve trim only
TS3412 series-shower trim only

Valves: S3371 - thermostatic
S3600 - volume control



SHOWER ONLY APPLICATION

CRITICAL DIMENSIONS

(DO NOT SCALE)

FOR MORE INFORMATION CALL: 1-800-BUY-MOEN

www.moen.com