

DESCRIPTION

- Metal construction with various finishes identified by suffix


OPERATION

- Lever style handles
- Rotate hot side handle counterclockwise to open and clockwise to close
- Rotate cold side handle clockwise to open and counterclockwise to close

FLOW

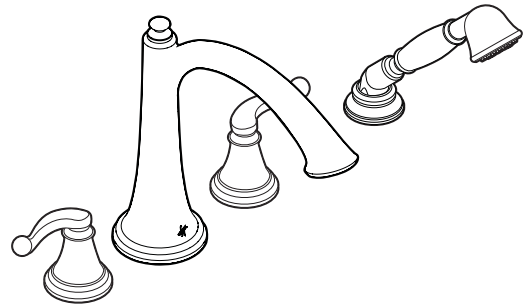
- Hand shower meets 2.5 gpm max. (9.5 L/min)

STANDARDS

- Third party certified to CSA B125, ASME A112.18.1M, and all applicable requirements referenced therein
- ADA  for lever handles

WARRANTY

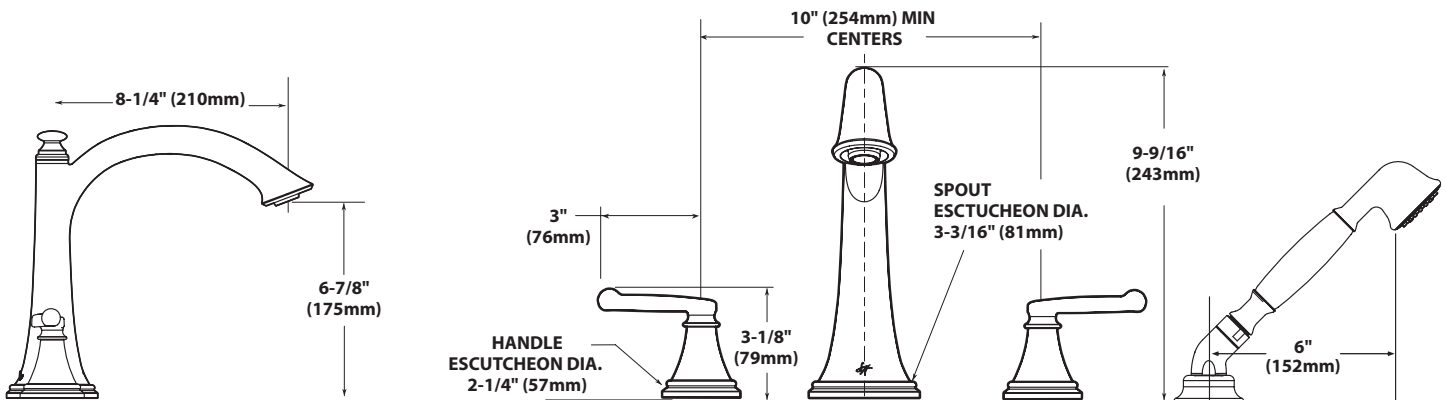
- Lifetime limited warranty against leaks, drips and finish defects to the original consumer purchaser
- 5 year warranty if used in commercial installations



SAVVY™
Two-Handle Roman Tub Faucet Trim
with Integral Diverter

Models: TS294 series

Valves: S924, S9204



CRITICAL DIMENSIONS

(DO NOT SCALE)