

## DESCRIPTION

- Metal construction with a decorative chrome/LifeShine® polished brass, LifeShine® polished brass or glacier finish
- Pressure balancing valve design with integral check stops
- Supplied with adjustable temperature limit stop
- Includes adjustable showerhead, arm and flange

## OPERATION

- Pivot action lever style handle
- Temperature operates through an 180° arc of handle travel (full cold to full hot)
- Pressure balancing mechanism maintains selected discharge temperature to  $\pm 2^\circ$

## FLOW

- Showerhead is limited to 2.5 gpm (9.5 L/min)

## CARTRIDGE

- 1225 cartridge design
- Nonmetallic/nonferrous and stainless steel materials
- Accommodates back to back installations

## STANDARDS

- Designed and manufactured to comply with the requirements of: CSA B-125 and ASME A112.18.1M and all applicable requirements referenced therein and complies with the applicable requirements of ANSI A117.1

## WARRANTY

- Lifetime limited warranty against leaks, drips and finish defects to the original consumer purchaser
- 5 year warranty if used in commercial installations



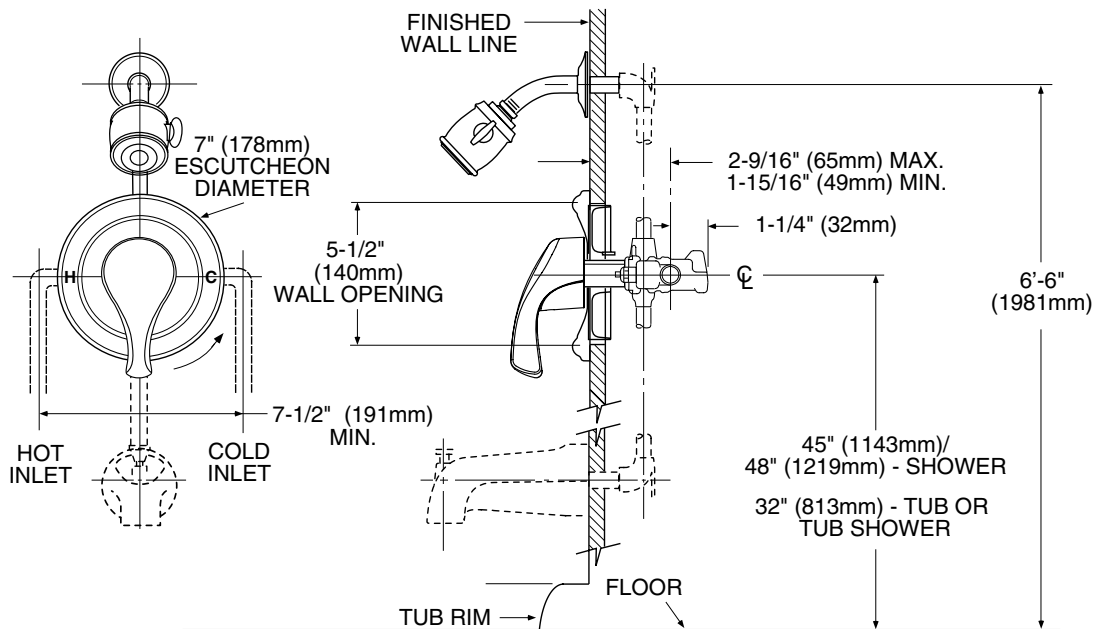
## LEGEND® MOENTROL® Single-Handle Shower Trim Kit

Models: \*TL171CP, TL171P  
and \*TL171W

(Bulk packed 12 per carton)

\* Discontinued 2/1/98

NOTE: See reverse side for  
illustrated parts



## CRITICAL DIMENSIONS

(DO NOT SCALE)



ADA symbol applies to shower valve control only.